



SINGLE EFFECT HERMETIC ABSORPTION LIQUID CHILLER

16JB

SIZE: 010 - 068

SERIES: CMX

SERVICE PARTS GUIDE

GRAPHICS CATALOG INDEX		Revision A	PAGE:
MACHINE ASSEMBLY GRAPHICS.....			1 - 11

PARTS LIST CATALOG INDEX		Revision A	PAGE:
16JB010, 16JB012, 16JB014, 16JB018.....			1 - 12
16JB021, 16JB024, 16JB028, 16JB032.....			13 - 24
16JB036, 16JB041, 16JB047, 16JB054.....			25 - 36
16JB057, 16JB061, 16JB068.....			37 - 48

ATTENTION: PLEASE FILE THIS INFORMATION AS A FINAL RELEASE

Attached you will find information that will be released as a two part Service Parts Guide. A Service Parts Guide consists of "Graphics Catalog" and "Parts List Catalog". The common link between these two types of catalogs is the CATALOG NUMBER ONLY!! The revision block that follows the Catalog No. is used as a way to update one or both parts of the Service Parts Guide. This Index Page is a reference to let the Service Parts Center know what has been released on the model listed above.

Information about This Release

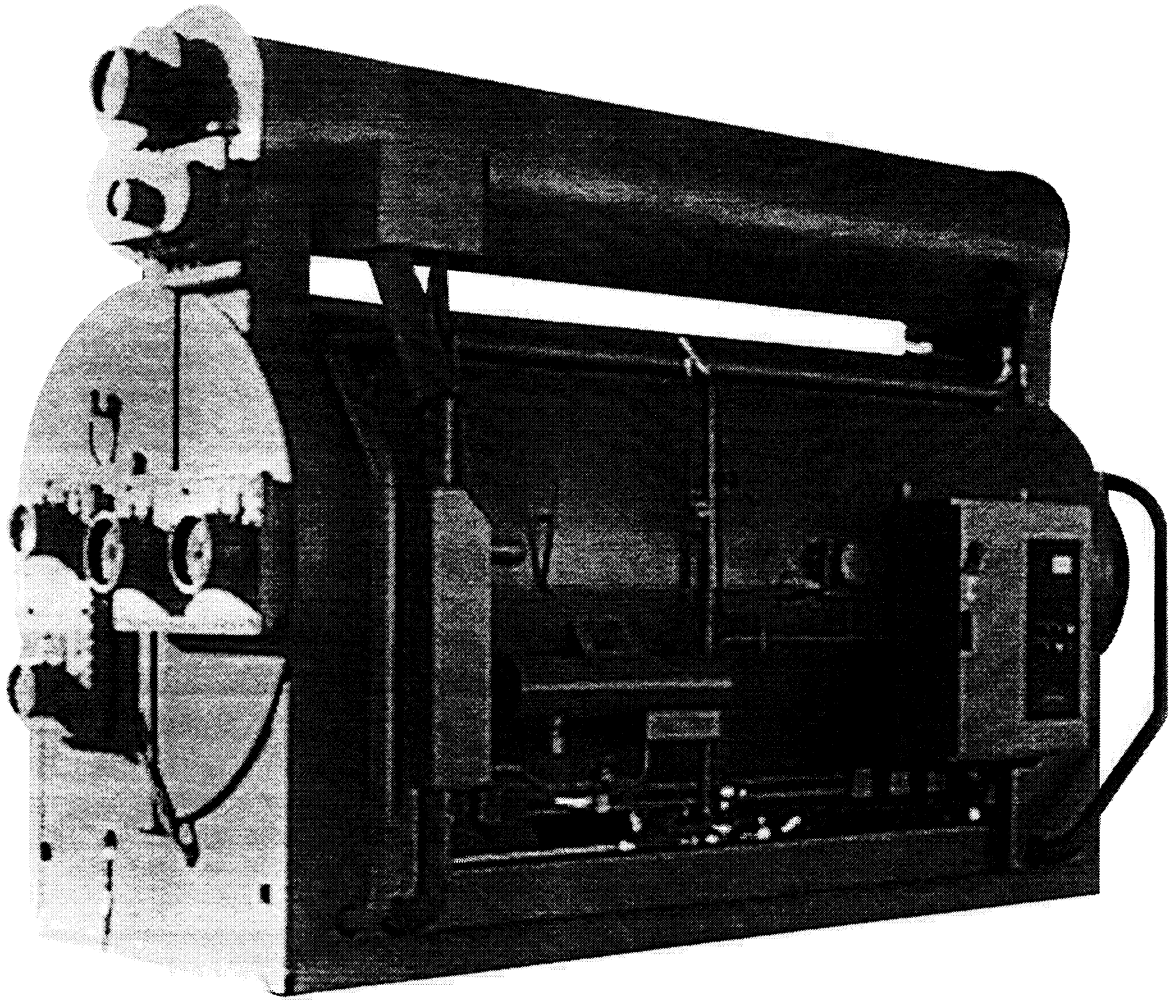
11/02/98

Graphics Catalog	
Catalog No: RCD-3516-007 (11/98)	Rev. A
Supersedes: RCD-3516-007 (5/98)	Rev.

INDEX
Litho in U.S.A



Electronic Graphics 16007000



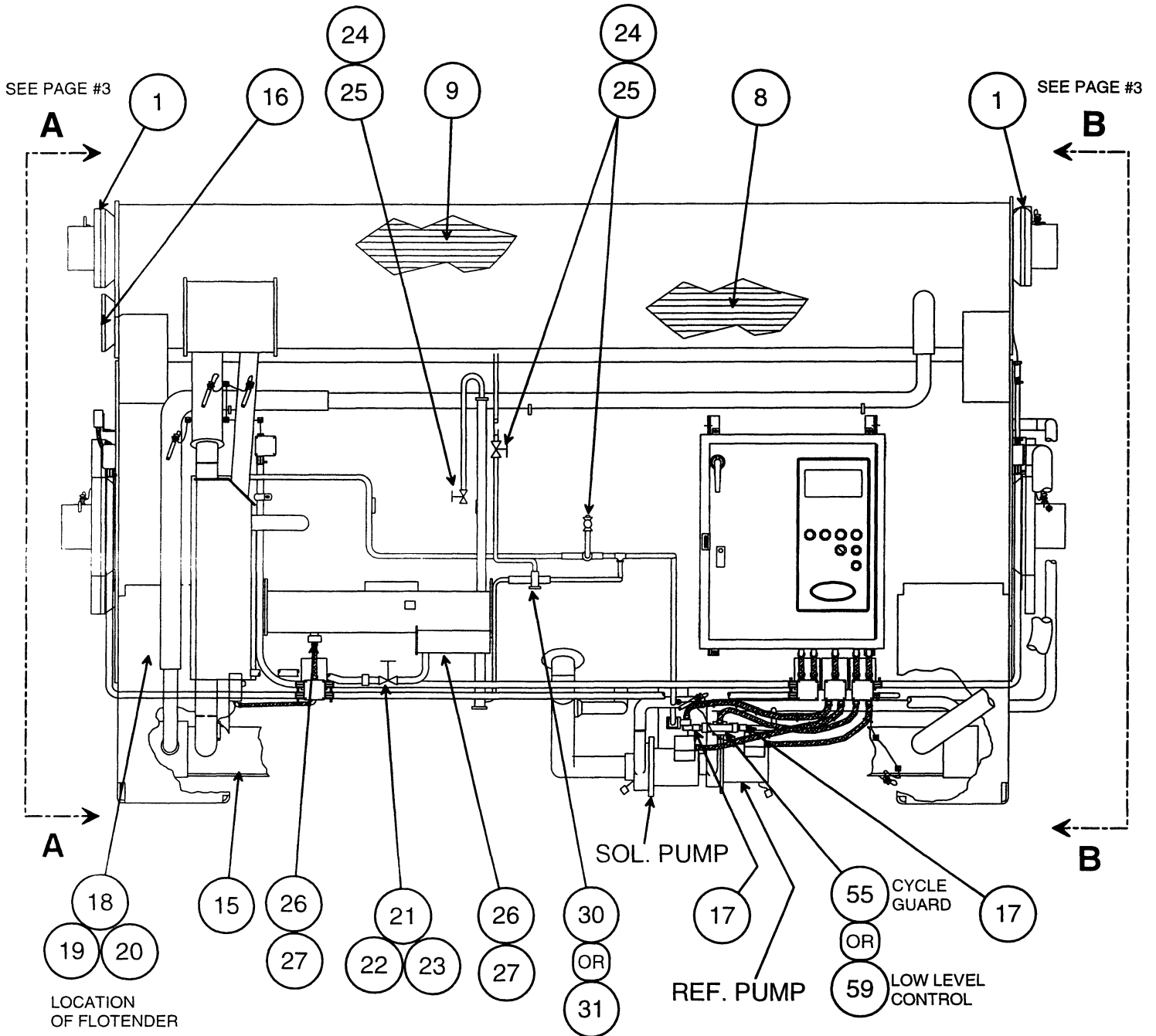
HOW TO USE THIS CATALOG

1. THIS CATALOG PRESENTS THE MOST COMMONLY USED SPECIFIED PARTS FOR THE STANDARD 16JB SINGLE EFFECT HERMETIC ABSORPTION CHILLER AND IS NOT APPLICABLE TO ANY SPECIAL ORDER MACHINES. (CONTACT CARRIER WITH MACHINE SERIAL NUMBER FOR ANY SPECIAL ORDER UNIT PARTS.)
2. OCCASIONALLY, DUE TO LIMITATIONS OF ILLUSTRATIONS USED, A PART MAY NOT BE ILLUSTRATED. THESE PARTS ARE IDENTIFIED BY "N" IN THE COLUMN NEXT TO THE ITEM NUMBER.
3. POSITIVE IDENTIFICATION OF YOUR MACHINE TO PROPERLY SELECT PARTS MAY BE DONE BY REFERRING TO THE MACHINE NAMEPLATE.

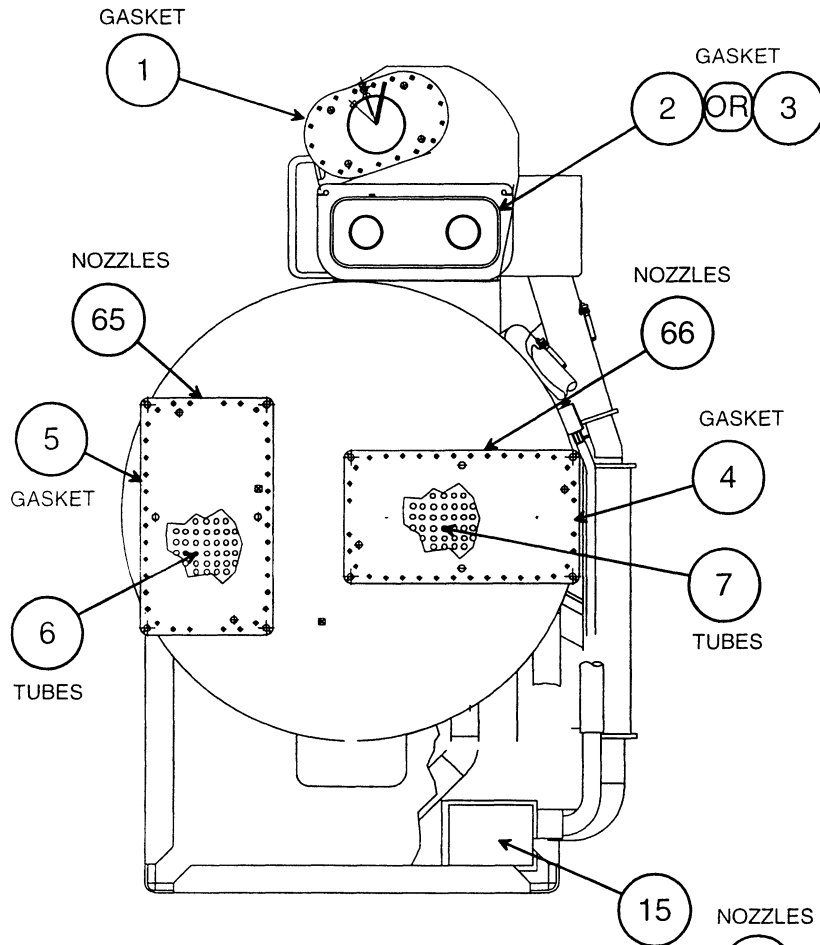


**SINGLE EFFECT HERMETIC
ABSORPTION LIQUID CHILLER**

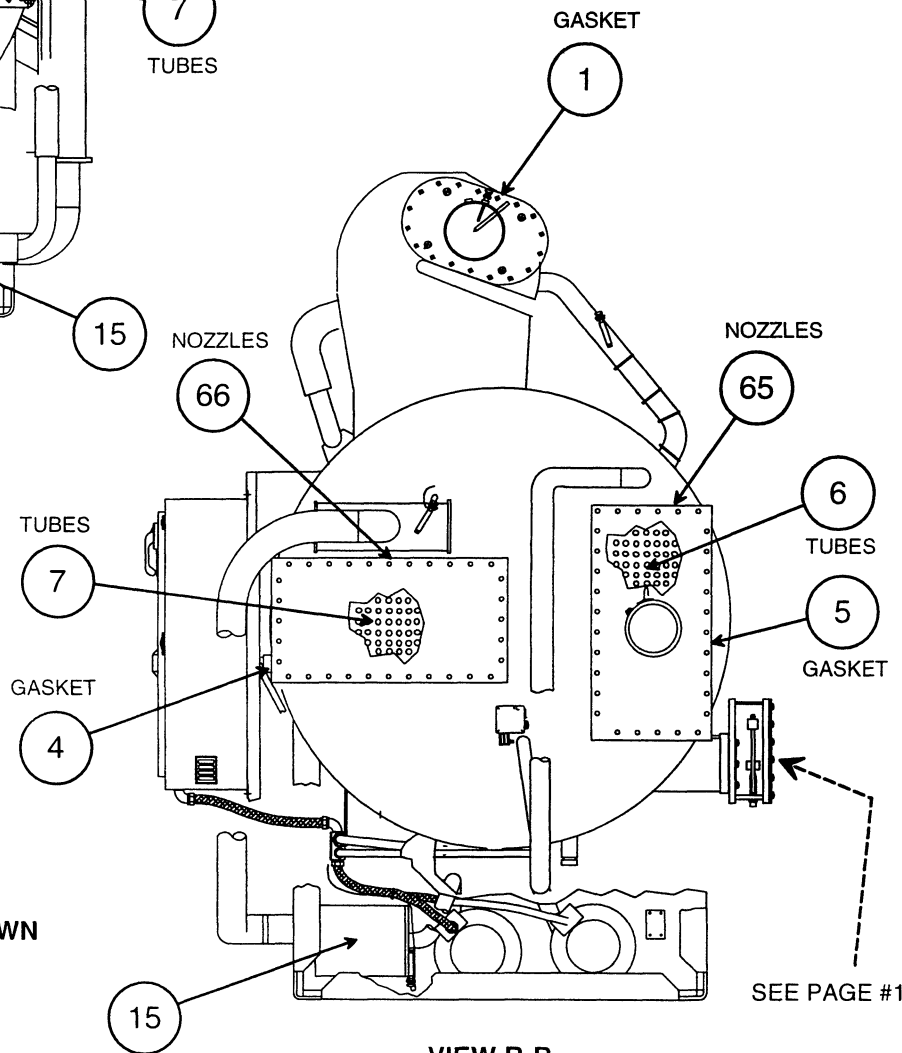
16JB
SIZE: 010 - 068
SERIES: CMX



MACHINE FRAME SIZE 032 - 036 SHOWN



VIEW A-A



VIEW B-B

MACHINE FRAME SIZE 032 - 036 SHOWN

SEE PAGE #10

Graphics Catalog

Catalog No: RCD-3516-007 (11/98) Rev.A

Supersedes: RCD-3516-007 (5/98) Rev.

Note: See "Catalog Notes" on last page for explanation of symbolism.

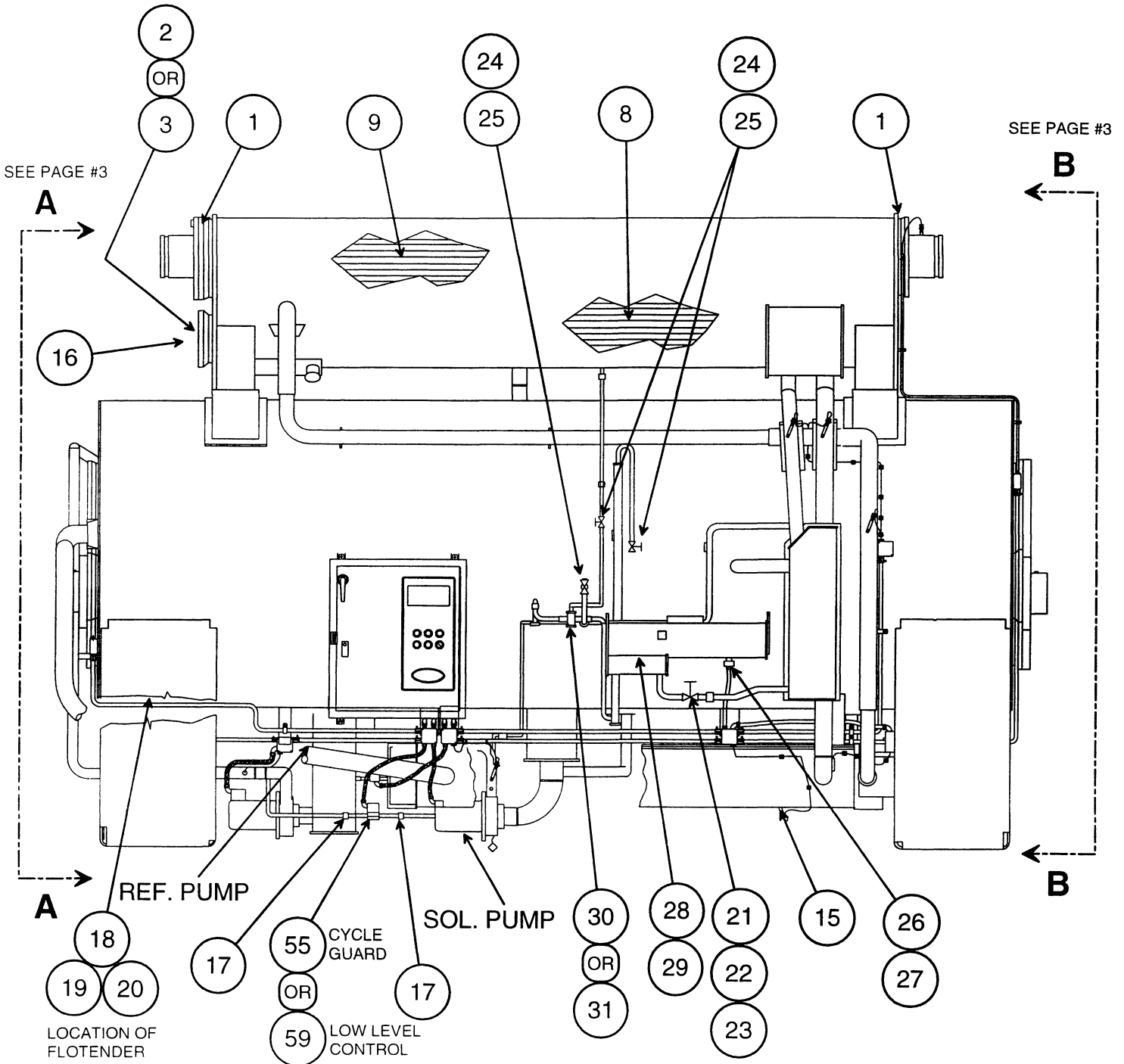
Graphics Page: 3
Litho in U.S.A



Electronic Graphics 16007003

**SINGLE EFFECT HERMETIC
ABSORPTION LIQUID CHILLER**

16JB
SIZE: 010 - 068
SERIES: CMX



MACHINE FRAME SIZE 062 - 068 SHOWN

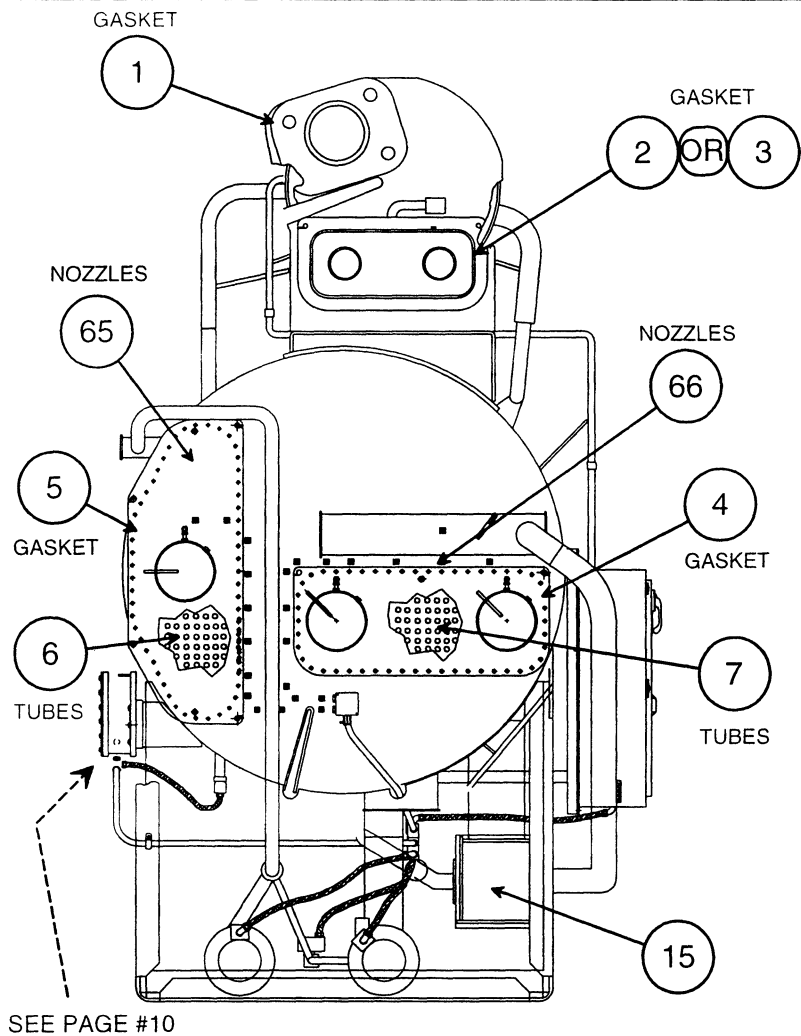


**SINGLE EFFECT HERMETIC
ABSORPTION LIQUID CHILLER**

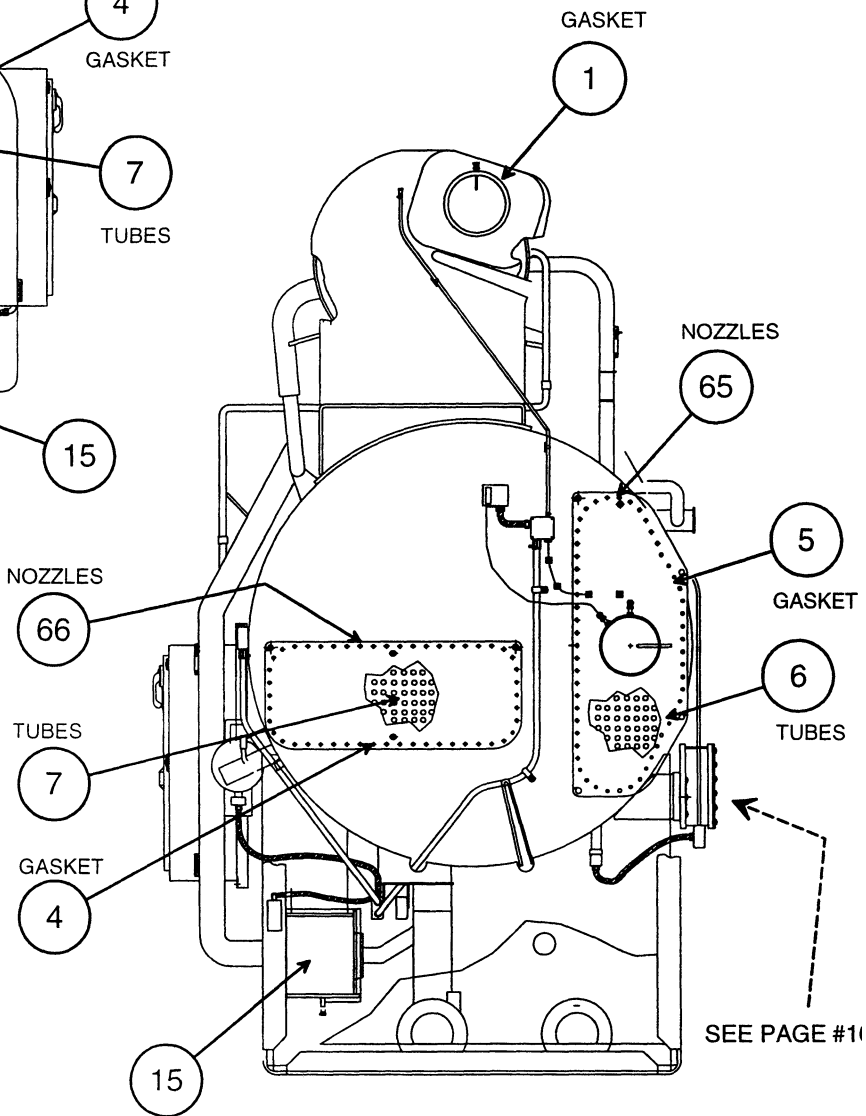
16JB

SIZE: 010 - 068

SERIES: CMX



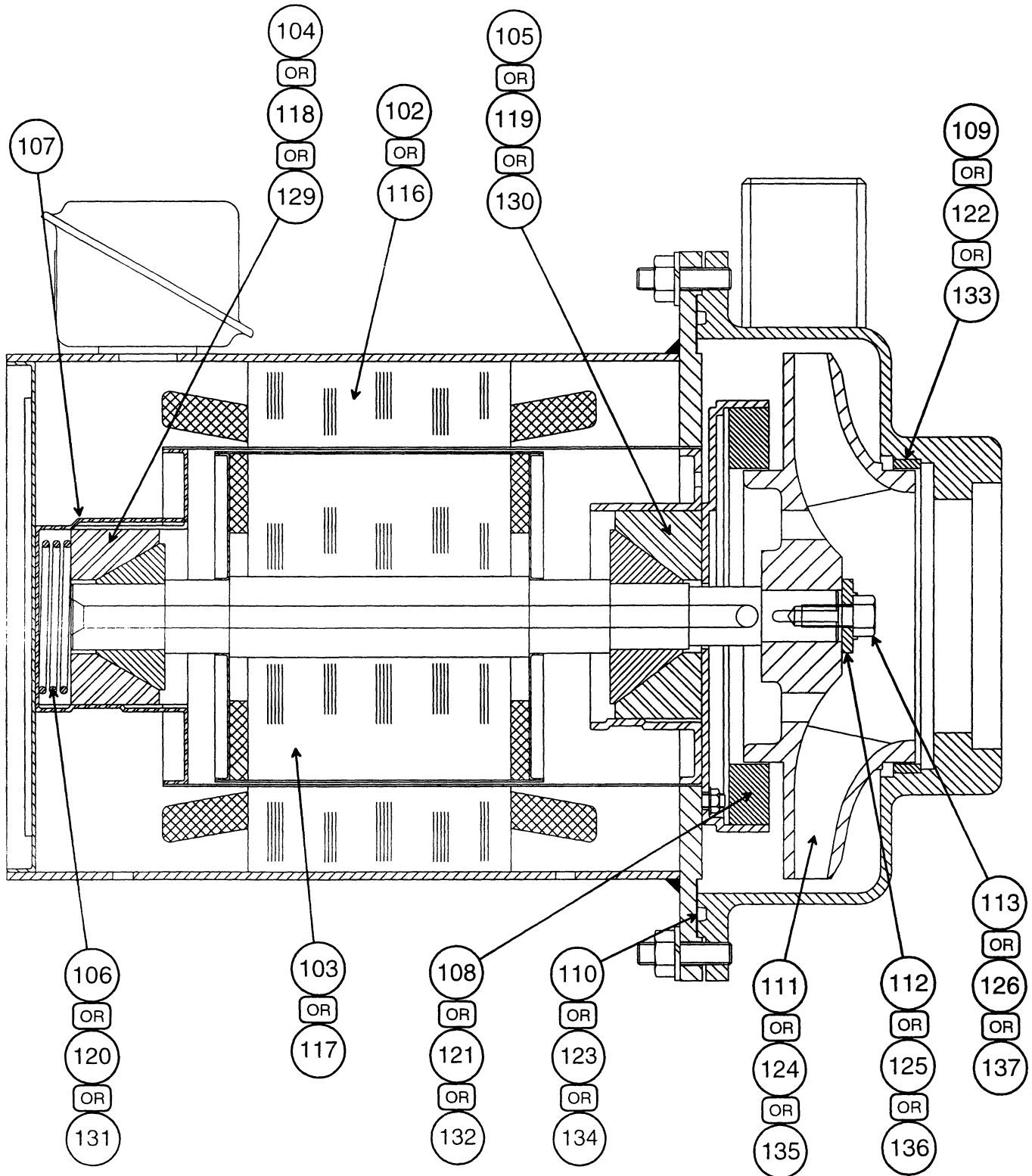
VIEW A-A



VIEW B-B

MACHINE FRAME SIZE 062 - 068 SHOWN





TYPICAL REFRIGERANT PUMP

Graphics Catalog

Catalog No: RCD-3516-007 (11/98)

Rev.A

Supersedes: RCD-3516-007 (5/98)

Rev.

Note: See "Catalog Notes" on last page for explanation of symbolism.

Graphics Page: 6

Litho in U.S.A

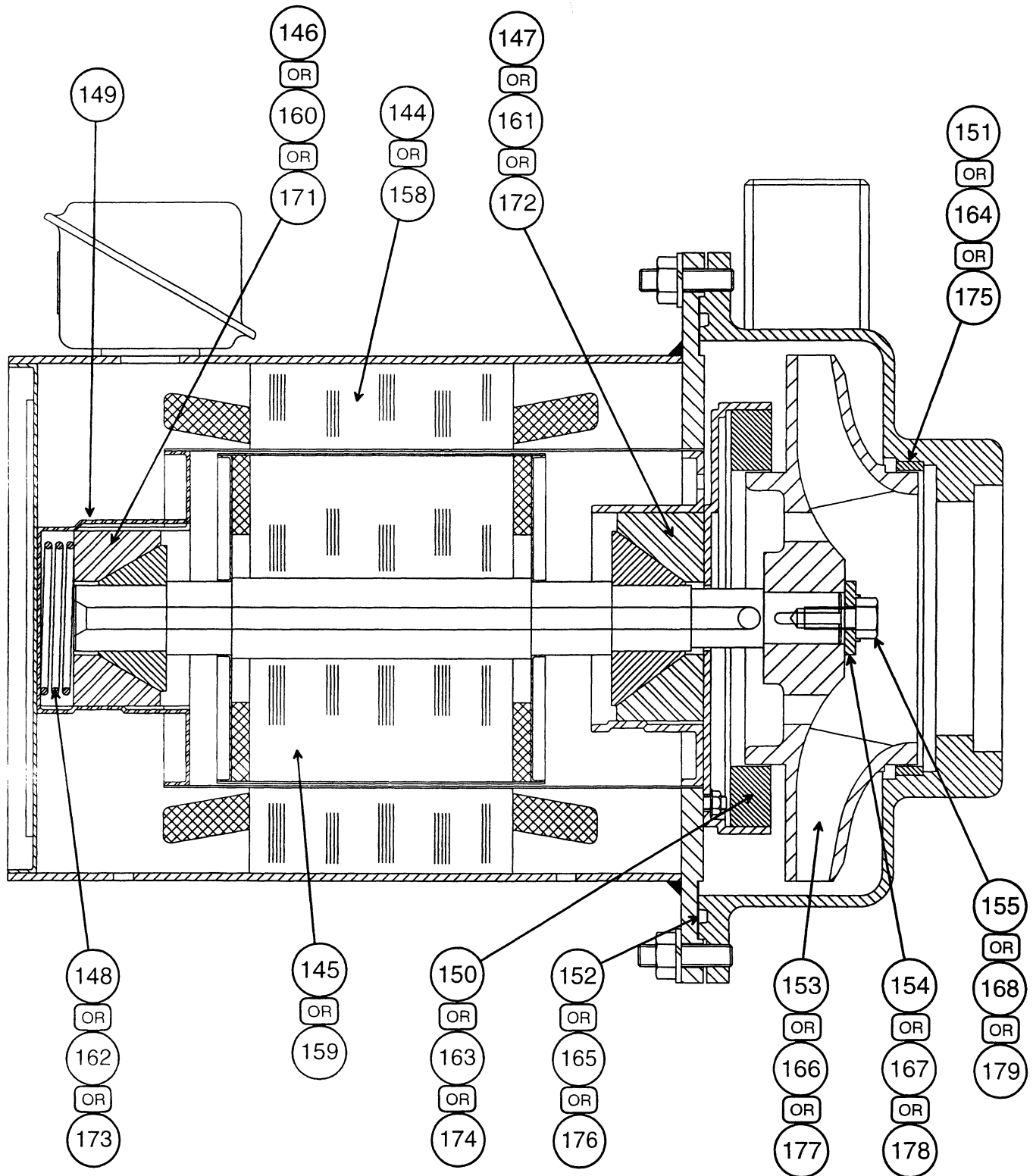


**SINGLE EFFECT HERMETIC
ABSORPTION LIQUID CHILLER**

16JB

SIZE: 010 - 068

SERIES: CMX



TYPICAL SOLUTION PUMP

Graphics Catalog

Catalog No: RCD-3516-007 (11/98) Rev.A

Supersedes: RCD-3516-007 (5/98) Rev.

Note See "Catalog Notes" on last page for explanation of symbolism.

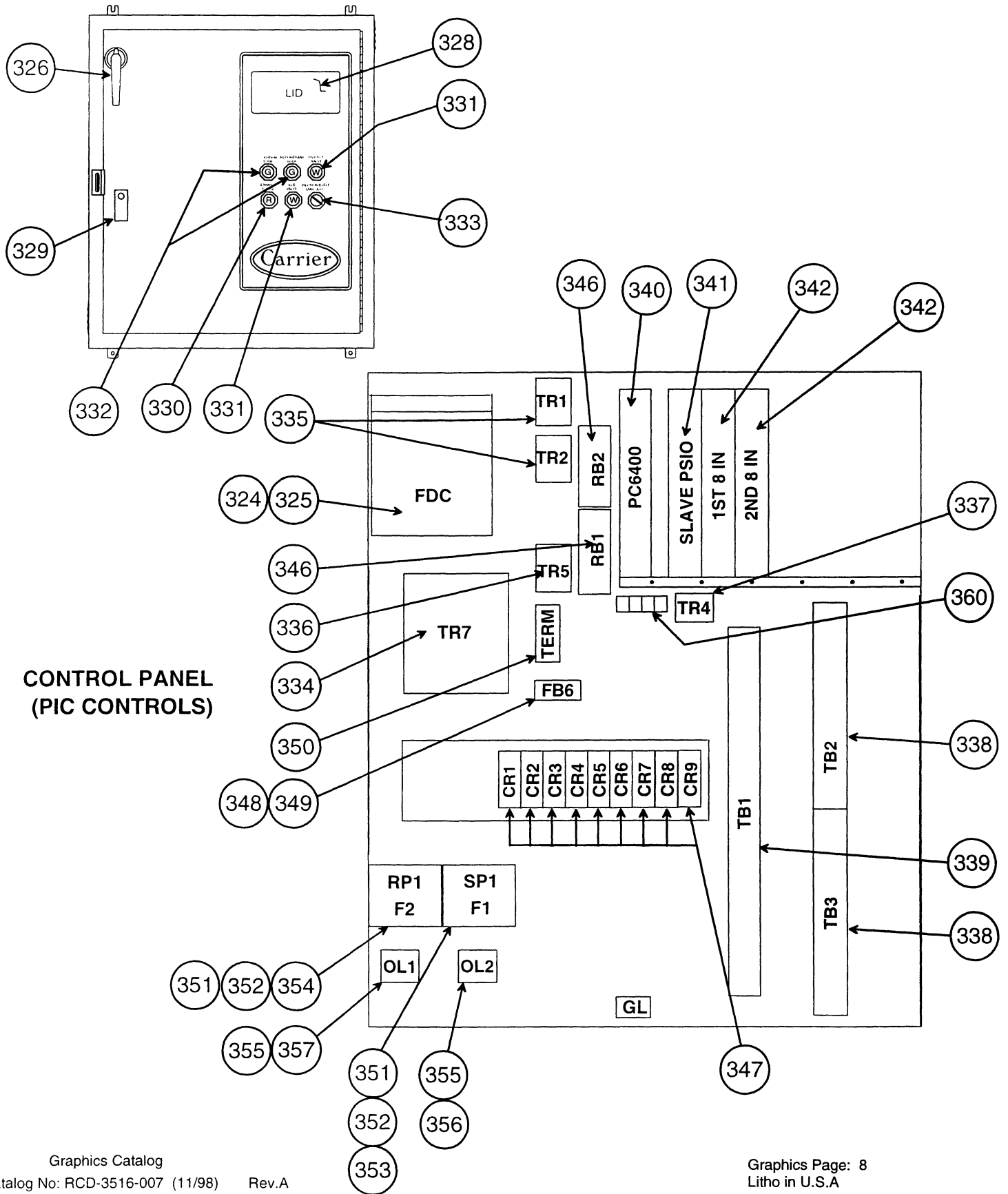
Graphics Page: 7
Litho in U.S.A



Electronic Graphics 1600700

**SINGLE EFFECT HERMETIC
ABSORPTION LIQUID CHILLER**

16JB
SIZE: 010 - 068
SERIES: CMX



**CONTROL PANEL
(PIC CONTROLS)**

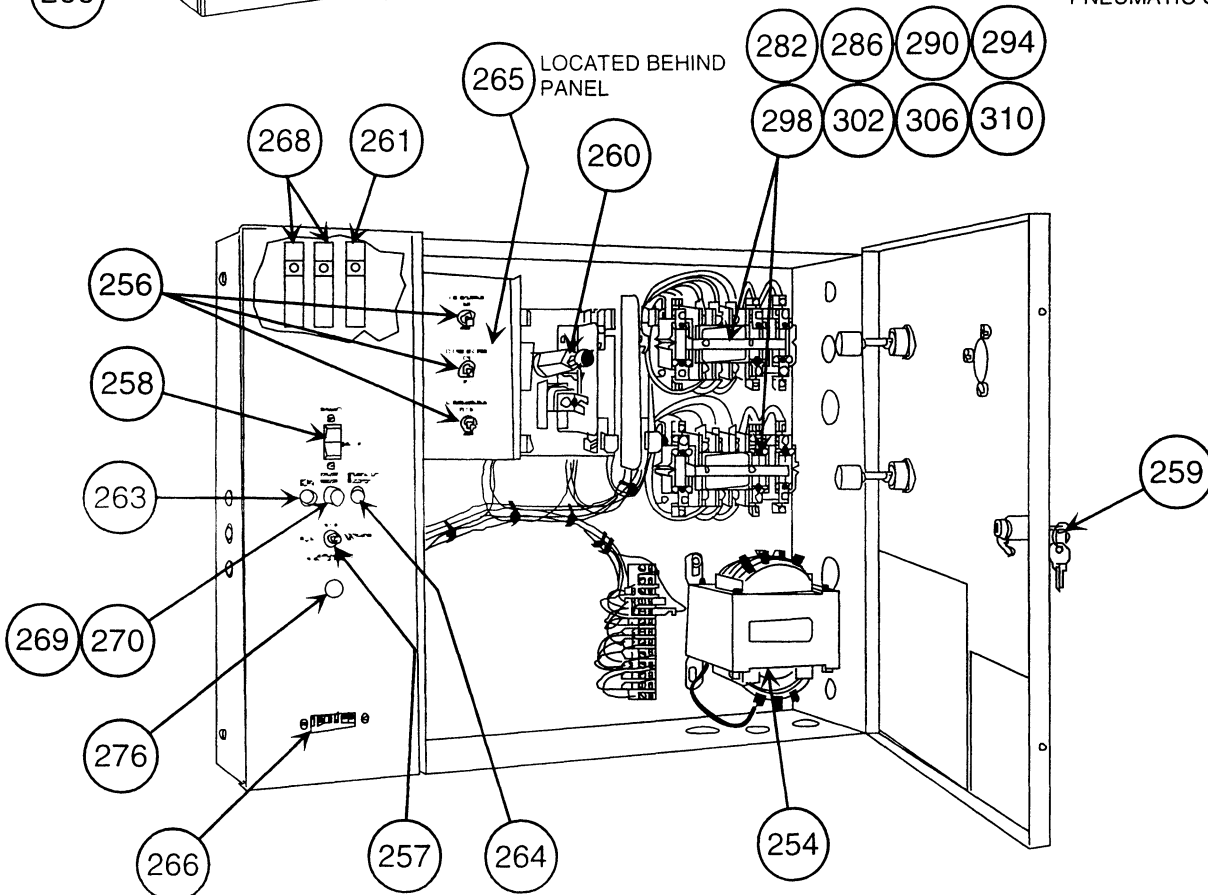
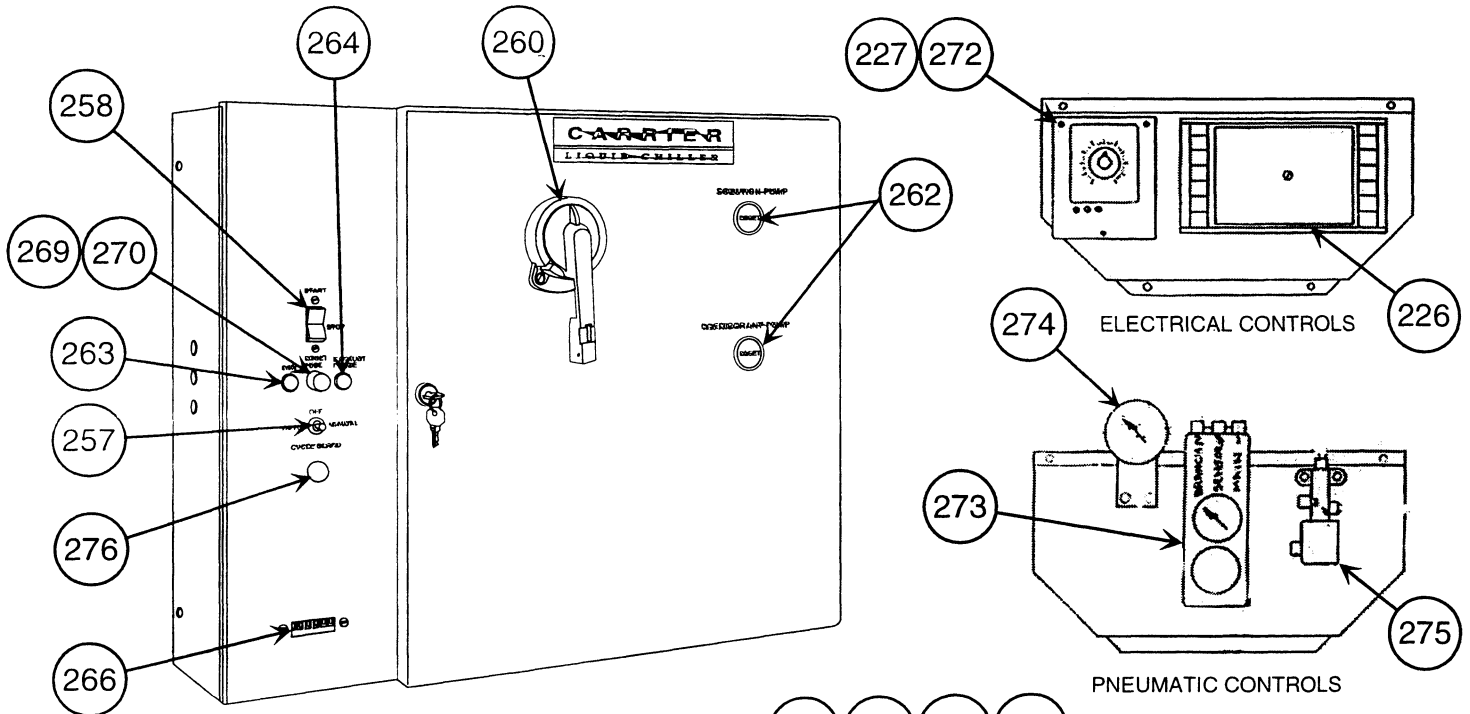


**SINGLE EFFECT HERMETIC
ABSORPTION LIQUID CHILLER**

16JB

SIZE: 010 - 068

SERIES: CMX



**CONTROL PANEL
(MECHANICAL CONTROLS)**

Graphics Catalog

Catalog No: RCD-3516-007 (11/98) Rev.A

Supersedes: RCD-3516-007 (5/98) Rev.

Note: See "Catalog Notes" on last page for explanation of symbolism.

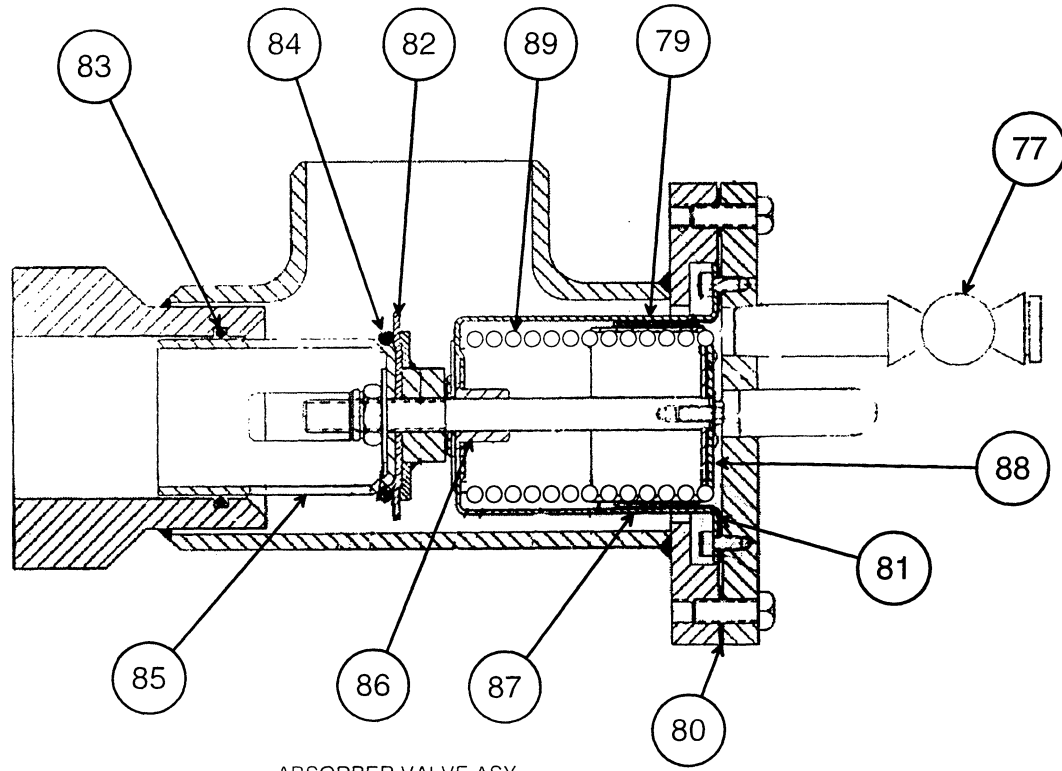
Graphics Page: 9
Litho in U.S.A



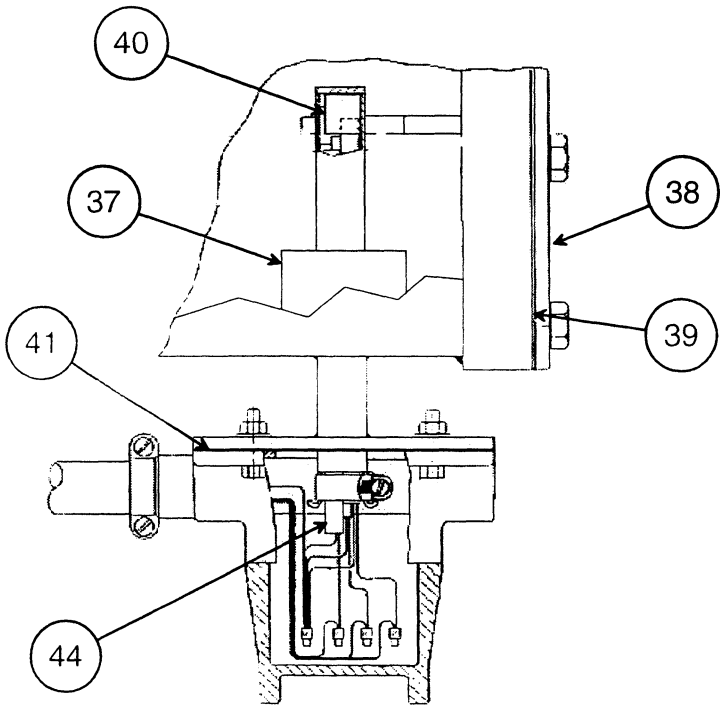
Electronic Graphics 16007009

**SINGLE EFFECT HERMETIC
ABSORPTION LIQUID CHILLER**

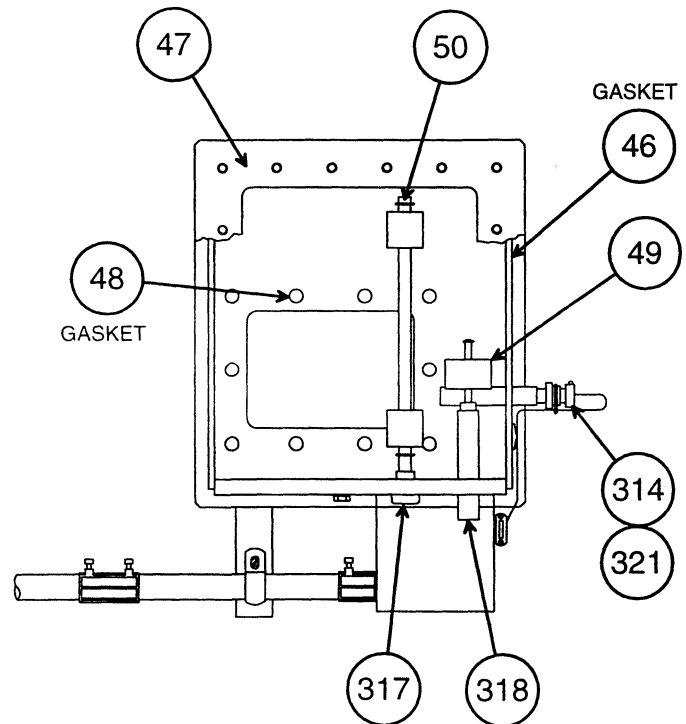
16JB
 SIZE: 010 - 068
 SERIES: CMX



ABSORBER VALVE ASY

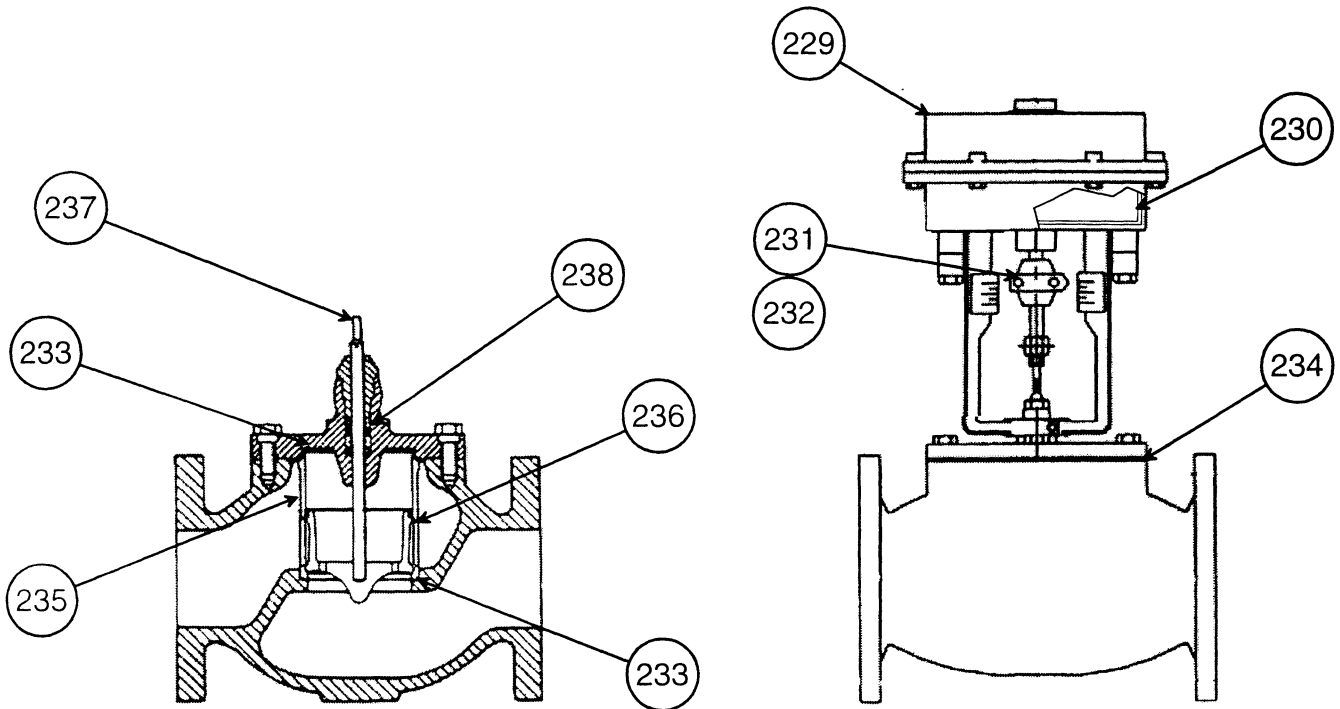


OLD BOX TYPE FLOAT CHAMBER

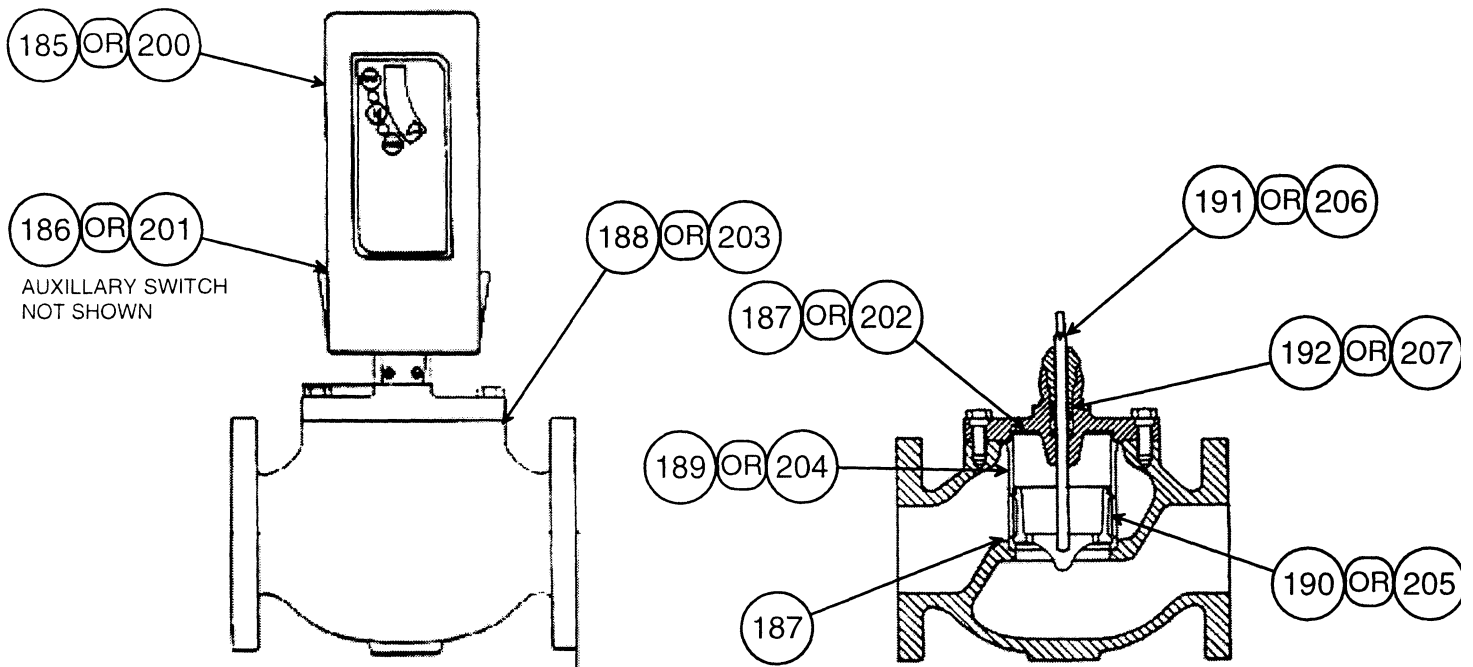


NEW FLOAT CHAMBER





**PNEUMATIC STEAM VALVE
(CAGED)**



**ELECTRONIC STEAM VALVE
(CAGED)**





SINGLE EFFECT HERMETIC
 ABSORPTION LIQUID
 CHILLER

16JB

SIZE: 010 068
 SERIES: CMX

ITM	PART DESCRIPTION	16JB010		16JB012		16JB014		16JB018	
		ALL VOLTAGES		ALL VOLTAGES		ALL VOLTAGES		ALL VOLTAGES	
GENERAL ASSEMBLY									
1	GASKET,CONDENSER WATER BOX	(2)	16JA0101044	(2)	->	(2)	->	(2)	16JA0181044
2	GASKET,GENERATOR WATER BOX (STEAM)	(2)	16JA0101034	(2)	->	(2)	->	(2)	16JA0181034
3	GASKT,GENERATOR WATER BOX(HOT WATER)	(2)	16JA0101184	(2)	->	(2)	->	(2)	16JA0181184
4	GASKET,ABSORBER WATER BOX	(2)	16JA0101174	(2)	->	(2)	->	(2)	16JA0181174
5	GASKET,EVAPORATOR WATER BOX	(2)	16JA0101174	(2)	->	(2)	->	(2)	16JA0181174
6	TUBES,EVAPORATOR (INTREGAL FIN)	(89)	99TF501334	(101)	->	(113)	->	(153)	->
7	TUBES,ABSORBER (PRIME SURFACE)	(82)	16JA0102992	(91)	->	(108)	->	(135)	->
8	REPLACEMENT TUBE BUNDLE,GEN. (STEAM)		16JB010111-1		16JB012111-1		16JB014111-1		16JB018111-1
9	TUBES,CONDENSER	(216)	16JA0102992	(216)	->	(216)	->	(216)	->
10	PARTITION PLATE,GENERATOR (STEAM)		16JA0102763		16JA0122763		16JA0142763		16JA0182763
	NOTE: REFER TO FIELD EXPERIENCE REPORT #72-2.								
11	PARTITION PLATE,GENERATOR (HOT WATER)		16JA0102533		16JA0122533		16JA0142533		16JA0182533
	NOTE: REFER TO FIELD EXPERIENCE REPORT #72-2.								
12	GASKET,GENERATOR PARTITION		16JB0101523		->		->		16JB0181523
	NOTE: REFER TO FIELD EXPERIENCE REPORT #72-2.								
13	RETAINER PLATE,GENERATOR PARTITION		16JA0102523		->		->		16JA0182523
	NOTE: REFER TO FIELD EXPERIENCE REPORT #72-2.								
14	SCREW,SELF TAPPING (1/4-20 X 1" LG.)	(6)	AK92AB170	(6)	->	(6)	->	(10)	->
	NOTE: REFER TO FIELD EXPERIENCE REPORT #72-2.								
15	HEAT EXCHANGER,SOLUTION		16JB010134-1		->		->		16JB018134-1
16	CHECK VALVE		EC37CZ421		->		->		->
17	VALVE,BALL (1/2")	(4)	EP71CQ181	(4)	->	(4)	->	(4)	->
18	VALVE,SOLENOID (FLOTENDER TM)		EF23CM422		->		->		->
19	COIL		EF19XM120		->		->		->
20	DIAPHRAGM & SPRING		EF29XM430		->		->		->
21	VALVE,DIAPHRAGM (1") (PURGE ASY)		EF71ZM006		->		->		->
22	REPLACEMENT DIAPHRAGM (1")		EF79ZM006		->		->		->
23	ADAPTER (1")		EM99Z2300		->		->		->
24	VALVE,DIAPHRAGM (1/2") (PURGE ASY)		EF71CA181		->		->		->
25	DIAPHRAGM (1/2")		EF79ZA181		->		->		->
26	FLOAT ASY (PURGE)(STORAGE CHAMBER)		16JB010543		->		->		->
	NOTE: REFER TO SERVICE BULLETIN A9205.								
27	FLOAT		16JB010332		->		->		->
28	FLOAT ASY (PURGE)(SEPERATION CHAMBER)		16JB010123		->		->		->
	NOTE: REFER TO SERVICE BULLETIN A9205.								
29	FLOAT		16JB010332		->		->		->
30	EDUCTOR ASY(PURGE)(W/OUT CHECK VALVE)		16JB660023		->		->		->
31	EDUCTOR ASY(PURGE)(WITH CHECK VALVE)		16JB010113		->		->		->
32	STRAINER ASSEMBLY		16JA010111		->		->		->
33	GASKET		16JB0101102		->		->		->
34	DISC		16JA010272		->		->		->
35	EDUCTOR		16JB660023		->		->		->
36	REFRIG. FLOAT ASY (LLC)(CYCLE GUARD)		16JB660017		->		->		->
	NOTE: USED ON MACHINES WITH BOX TYPE FLOAT CHAMBER AND THE TRI-LEVEL SWITCH,SEE BULLETIN A9205.								
37	FLOAT		16JB010352		->		->		->
38	COVER PLATE (10 HOLES)		16JB010412		->		->		->
39	GASKET,COVER (10 HOLES)		16JB0101943		->		->		->
40	SPACER		16JB0103042		->		->		->
41	GASKET,OUTLET		16JB0104092		->		->		->
42	SWITCH ASY,FLOAT(SEE BULLETIN A9205)		16JB010243		->		->		16JB018243
	NOTE: SWITCHES USED WHEN FLOAT CHAMBER IS LOCATED ON END OF MACHINE.								
43	SWITCH ASY,REED	(3)	16JB010302	(3)	->	(3)	->	(3)	->
44	SWITCH ASY,FLOAT(SEE BULLETIN A9205)		16JB010593		->		->		16JB018593

PARTS LIST CATALOG

PARTS LIST PAGE: 001

CATALOG NO.: RCD-3516-007 REV. A
 SUPERSEDES : RCD-3516-007 REV.

NOTE: SEE "CATALOG NOTES" ON LAST PAGE FOR EXPLANATION OF SYMBOLISM.



SINGLE EFFECT HERMETIC
 ABSORPTION LIQUID
 CHILLER

16JB

SIZE: 010 068
 SERIES: CMX

ITM	PART DESCRIPTION	16JB010		16JB012		16JB014		16JB018	
		ALL VOLTAGES		ALL VOLTAGES		ALL VOLTAGES		ALL VOLTAGES	
GENERAL ASSEMBLY									
	USED ON MACHINES WITH BOX TYPE FLOAT CHAMBER AND THE TRI-LEVEL SWITCH.								
45	SWITCH ASY, REED	(3)	16JB010342	(3)	->	(3)	->	(3)	->
46	COVER, FLOAT BDX (20 HOLES)		16JB0104302		->		->		->
47	GASKET, FLOAT BOX COVER (20 HOLES)		16JB0104312		->		->		->
48	GASKET, OUTLET (10 HOLES)		16JB0101943		->		->		->
49	FLOAT ASY		16JB010603		->		->		->
50	FLOAT ASY, ANALOG		16JT810788		->		->		->
51	VALVE, DIAPHRAGM (1/2")		EF71CA181		->		->		->
52	DIAPHRAGM		EF79ZA181		->		->		->
53 N	ADAPTER		EM99AA522		->		->		->
54	FLOAT ASSEMBLY (W/EF79MZ006 DIAPH)		16JB010-332		->		->		->
55	SOLENOID VALVE (CYCLE GUARD)	(2)	EF23CH183	(2)	->	(2)	->	(2)	->
	NOTE: REFER TO SERVICE BULLETIN A9306.								
56A	COIL, SOLENOID VALVE (CYCLE GUARD)		EF19XM120		->		->		->
56B	COIL, SOLENOID VALVE (CYCLE GUARD)		EF19XM122		->		->		->
57A	REPAIR KIT, SOLENOID (FOR EF19XM120)		16JB660013		->		->		->
57B	REPAIR KIT, SOLENOID (FOR EF19XM122)		16JB660030		->		->		->
58	LIGHT (CYCLE GUARD)		HY19AD024		->		->		->
59	SOLENOID VALVE (LLC)	(2)	EF23CH183	(2)	->	(2)	->	(2)	->
	NOTE: REFER TO SERVICE BULLETIN A9306.								
60A	COIL, SOLENOID VALVE (LLC)		EF19XM120		->		->		->
60B	COIL, SOLENOID VALVE (LLC)		EF19XM122		->		->		->
61A	REPAIR KIT, SOLENOID (FOR EF19XM120)		16JB660013		->		->		->
61B	REPAIR KIT, SOLENOID (FOR EF19XM122)		16JB660030		->		->		->
62	"O" RING PACKAGE (QTY OF 60 KK71EM010)		16JT680039		->		->		->
63	GSKT, EVAPORATOR DIV PLT (25'ROLL)		19XB680001		->		->		->
64	GSKT, ABSORBER DIV PLT (25'ROLL)		19XB680001		->		->		->
65	NOZZLE, EVAPORATOR SPRAY	(32)	16JA010-312	(32)	->	(32)	->	(32)	->
66	NOZZLE, ABSORBER SPRAY	(40)	16JA010-322	(48)	->	(48)	->	(72)	->
67	RUPTURE DISC (2"-300 PSI)		EB59LY032		->		->		->
68	GASKET (USED ON ITEM # 49)	(2)	CT90YA401	(2)	->	(2)	->	(2)	->
69	RUPTURE DISC (3"-300 PSI)		X		X		X		X
70	GASKET (USED ON ITEM # 51)		X		X		X		X
71	RUPTURE DISC (4"-300 PSI)		X		X		X		X
72	GASKET (USED ON ITEM #53)		X		X		X		X
73	FLOAT SWITCH (DIL. LEVEL)(SEE A9205)		16JA010403		->		->		->
	USED IN EARLY MACHINES WITH SEPARATE LOW LEVEL AND DILUTION SWITCHES.								
74	FLOAT		16JB010332		->		->		->
75	FLOAT SWITCH (LOW LEVEL)(SEE A9205)		16JA050403		->		->		->
	USED IN EARLY MACHINES WITH SEPARATE LOW LEVEL AND DILUTION SWITCHES.								
76	FLOAT		16JB010332		->		->		->
ABSORBER VALVE ASSEMBLY									
77	VALVE, MANUAL DIAPHRAGM 1/2" SSN92321		EF71CQ181		->		->		->
78	DIAPHRAGM REPLACEMENT KIT		16JB660012		->		->		->
79	DIAPHRAGM		16JB0101023		->		->		->
80	GASKET (OUTSIDE)		16JB0101192		->		->		->
81	GASKET (INSIDE)		16JB0102372		->		->		->
82	GASKET, ABSORBER VALVE		16JB0102592		->		->		->
83	"O" RING		KK71ZT004		->		->		->
84	"O" RING		KK71EM163		->		->		->
85	PLUG		16JB0101033		->		->		->
86	BUSHING		16JB0101242		->		->		->
87	PISTON		16JB0101212		->		->		->
88	BACKPLATE		16JB0101222		->		->		->

PARTS LIST CATALOG

PARTS LIST PAGE: 002

CATALOG NO.: RCD-3516-007 REV. A
 SUPERSEDES : RCD-3516-007 REV.

NOTE: SEE "CATALOG NOTES" ON LAST PAGE FOR EXPLANATION OF SYMBOLISM.



SINGLE EFFECT HERMETIC
ABSORPTION LIQUID
CHILLER

16JB

SIZE: 010 068
SERIES: CMX

ITM	PART DESCRIPTION	16JB010	16JB012	16JB014	16JB018
		ALL VOLTAGES	ALL VOLTAGES	ALL VOLTAGES	ALL VOLTAGES
ABSORBER VALVE ASSEMBLY					
89	SPRING	16JB0101232	->	->	->
90	LOW LEVEL CONTROL INSTALL. KIT	16JB010015	->	->	->
NOTE: USED TO REPLACE ABSORBER VALVE WHICH IS NO LONGER AVAILABLE AND IT IS REQUIRED TO CONVERT TO LOW LEVEL CONTROL.(LLC)					
91 N	VALVE ASSEMBLY	16JB010143	->	->	->
92 N	WELL,T'STAT	16JB0101722	->	->	->
93 N	RELAY,CONTROL	HN61ZL010	->	->	->
94 N	THERMOSWITCH	(2) HH22AG108	(2) ->	(2) ->	(2) ->
95 N	THERMOWELL	(2) 16JB0101722	(2) ->	(2) ->	(2) ->
96 N	LOW LEVEL FLOAT ASY	16JA050403	->	->	->
97 N	LOW LEVEL CONDUIT COVER	HX08ZB101	->	->	->
98 N	LOW LEVEL REED SWITCH	16JA010994	->	->	->
REFRIGERANT PUMP ASSEMBLY					
99	VERY IMPORTANT:SEE SERVICE BULLETINS A9303 AND A9304	A9303 AND A9304	->	->	->
VERY IMPORTANT: BEFORE SELECTING REPLACEMENT PUMPS OR PARTS REFER TO SERVICE BULLETINS A9303 AND A9304.					
100A	REF. PUMP ASY(230/460-3-60)DESIGN #2	16JB010168	->	->	->
100B	REF. PUMP ASY(575-3-60)DESIGN #2	16JA0101554-2	->	->	->
100C	REF. PUMP ASY(600-3-60)DESIGN #2	16JA0101554-4	->	->	->
100D	REF. PUMP ASY(200/400-3-50)DESIGN #2	16JB0321564	->	->	->
101A	MOTOR (230/460-3-60)	16JB660031	->	->	->
101B	MOTOR (575-3-60)	16JA010027	->	->	->
101C	MOTOR (600-3-60)	16JA010027	->	->	->
101D	MOTOR (200/400-3-50)	16JB660032	->	->	->
102	STATOR	NLA	->	->	->
103	ROTOR	NLA	->	->	->
104	BEARING	16JB680009	->	->	->
105	BEARING	16JB680009	->	->	->
106	SPRING	KT592P010	->	->	->
107	CLIP	KT592P020	->	->	->
108A	WEAR RING,MOTOR (230/460-3-60)	KK09XC042	->	->	->
108B	WEAR RING,MOTOR (575-3-60)	KK09XD018	->	->	->
108C	WEAR RING,MOTOR (500-3-60)	KK09XC042	->	->	->
108D	WEAR RING,MOTOR (200/400-3-50)	KK09XD015	->	->	->
109A	WEAR RING,CASING (230/460-3-60)	KK09XC042	->	->	->
109B	WEAR RING,CASING (575-3-60)	KK09XC042	->	->	->
109C	WEAR RING,CASING (600-3-60)	KK09XC042	->	->	->
109D	WEAR RING,CASING (200/400-3-50)	KK09XD015	->	->	->
110	GASKET	16JA010002	->	->	->
111A	IMPELLER (230/460-3-60)	KK75XA539	->	->	->
111B	IMPELLER (575-3-60)	KK75XA539	->	->	->
111C	IMPELLER (600-3-60)	KK75XA539	->	->	->
111D	IMPELLER (200/400-3-60)	KK75XA534	->	->	->
112	LOCK WASHER,IMPELLER	KT592P021	->	->	->
113	LOCK SCREW,IMPELLER	KT592P031	->	->	->
114A	REF. PUMP ASY(230/460-3-60)DESIGN #3	16JB010168	->	->	->
114B	REF. PUMP ASY(575-3-60)DESIGN #3	16JB010168-1	->	->	->
114C	REF. PUMP ASY(600-3-60)DESIGN #3	16JB010168-3	->	->	->
114D	REF. PUMP ASY(200/400-3-50)DESIGN #3	16JB032198	->	->	->
115A	MOTOR (230/460-3-60)	16JB660031	->	->	->
115B	MOTOR (575-3-60)	16JB660033	->	->	->
115C	MOTOR (600-3-60)	16JB660033	->	->	->
115D	MOTOR (200/400-3-60)	16JB660032	->	->	->
116A	STATOR (230/460-3-60)	16JB660006	->	->	->

PARTS LIST CATALOG

PARTS LIST PAGE: 003

CATALOG NO.: RCD-3516-007 REV. A
SUPERSEDES : RCD-3516-007 REV.

NOTE: SEE "CATALOG NOTES" ON LAST PAGE FOR EXPLANATION OF SYMBOLISM.



SINGLE EFFECT HERMETIC
 ABSORPTION LIQUID
 CHILLER

16JB

SIZE: 010 068
 SERIES: CMX

ITM	PART DESCRIPTION	16JB010	16JB012	16JB014	16JB018
		ALL VOLTAGES	ALL VOLTAGES	ALL VOLTAGES	ALL VOLTAGES
REFRIGERANT PUMP ASSEMBLY					
116B	STATOR (575-3-60)	NLA	->	->	->
116C	STATOR (600-3-60)	NLA	->	->	->
116D	STATOR (200/400-3-60)	16JB660008	->	->	->
117A	ROTOR (230/460-3-60)	16JB680004	->	->	->
117B	ROTOR (575-3-60)	16JB660034	->	->	->
117C	ROTOR (600-3-60)	16JB680004	->	->	->
117D	ROTOR (200/400-3-50)	16JB660034	->	->	->
118	BEARING	16JB680006	->	->	->
119	BEARING	16JB680006	->	->	->
120	SPRING	KT592P010	->	->	->
121A	WEAR RING,MOTOR (230/460-3-60)	KK09XD018	->	->	->
121B	WEAR RING,MOTOR (575-3-60)	KK09XD018	->	->	->
121C	WEAR RING,MOTOR (600-3-60)	KK09XD018	->	->	->
121D	WEAR RING,MOTOR (200/400-3-50)	KK09XD020	->	->	->
122A	WEAR RING,CASING (230/460-3-60)	KK09XC042	->	->	->
122B	WEAR RING,CASING (575-3-60)	KK09XC042	->	->	->
122C	WEAR RING,CASING (600-3-60)	KK09XC042	->	->	->
122D	WEAR RING,CASING (200/400-3-50)	KK09XD015	->	->	->
123	GASKET	16JA010002	->	->	->
124A	IMPELLER (230/460-3-60)	KK75XA539	->	->	->
124B	IMPELLER (575-3-60)	KK75XA539	->	->	->
124C	IMPELLER (600-3-60)	KK75XA539	->	->	->
124D	IMPELLER (200/400-3-50)	KK75XA534	->	->	->
125	LOCK WASHER,IMPELLER	KT592P021	->	->	->
126	LOCK SCREW,IMPELLER	KT592P031	->	->	->
127A	REF. PUMP ASY(230/460-3-60)DESIGN #4	16JB010118	->	->	->
127B	REF. PUMP ASY(575-3-60) DESIGN #4	16JB010118-1	->	->	->
127C	REF. PUMP ASY(600--3-60)DESIGN #4	16JB010118-6	->	->	->
127D	REF. PUMP ASY(200/400-3-50)DESIGN #4	16JB032158	->	->	->
128A	MOTOR (230/460-3-60)	16JB660031	->	->	->
128B	MOTOR (575-3-60)	16JB660033	->	->	->
128C	MOTOR (600-3-60)	16JB660033	->	->	->
128D	MOTOR (200/400-3-50)	16JB660032	->	->	->
129	BEARING	16JT680011	->	->	->
130	BEARING	16JT680011	->	->	->
131	SPRING	16JT680015	->	->	->
132A	WEAR RING,MOTOR (230/460-3-60)	KK09XD018	->	->	->
132B	WEAR RING,MOTOR (575-3-60)	KK09XD018	->	->	->
132C	WEAR RING,MOTOR (600-3-60)	KK09XD018	->	->	->
132D	WEAR RING,MOTOR (200/400-3-50)	KK09XD020	->	->	->
133A	WEAR RING,CASING (230/460-3-60)	KK09XC042	->	->	->
133B	WEAR RING,CASING (575-3-60)	KK09XC042	->	->	->
133C	WEAR RING,CASING (600-3-60)	KK09XC042	->	->	->
133D	WEAR RING,CASING (200/400-3-50)	KK09XD015	->	->	->
134	GASKET	16JT680009	->	->	->
135A	IMPELLER (230/460-3-60)	KK75XA539	->	->	->
135B	IMPELLER (575-3-60)	KK75XA539	->	->	->
135C	IMPELLER (600-3-60)	KK75XA539	->	->	->
135D	IMPELLER (200/400-3-50)	KK75XA534	->	->	->
136	LOCK WASHER,IMPELLER	KT592P021	->	->	->
137	LOCK SCREW,IMPELLER	KT592P031	->	->	->
NOTE: ALL EXPLOSION PROOF PUMPS LISTED BELOW ARE 230/460-3-60.					
138	REF. PUMP (EXPLOSION PROOF)DESIGN #2	16JA0101554-3	->	->	->
139	REF. PUMP (EXPLOSION PROOF)DESIGN #3	16JB010168-2	->	->	->

PARTS LIST CATALOG

PARTS LIST PAGE: 004

CATALOG NO.: RCD-3516-007 REV. A
 SUPERSEDES : RCD-3516-007 REV.

NOTE: SEE "CATALOG NOTES" ON LAST PAGE FOR EXPLANATION OF SYMBOLISM.



SINGLE EFFECT HERMETIC
ABSORPTION LIQUID
CHILLER

16JB

SIZE: 010 068
SERIES: CMX

ITM	PART DESCRIPTION	16JB010	16JB012	16JB014	16JB018
		ALL VOLTAGES	ALL VOLTAGES	ALL VOLTAGES	ALL VOLTAGES
REFRIGERANT PUMP ASSEMBLY					
140	REF. PUMP (EXPLOSION PROOF)DESIGN #4 SOLUTION PUMP ASSEMBLY	16JB010118-2	->	->	->
141	VERY IMPORTANT!SEE SERVICE BULLETINS VERY IMPORTANT! BEFORE SELECTING REPLACEMENT PUMPS OR PARTS REFER TO SERVICE BULLETINS	A9303 AND A9304	->	->	->
142A	SOL. PUMP ASY(230/460-3-60)DESIGN #2	16JB010178	->	->	->
142B	SOL. PUMP ASY(575-3-60)DESIGN #2	16JA0101564-2	->	->	->
142C	SOL. PUMP ASY(600-3-60)DESIGN #2	16JA0101564-4	->	->	->
142D	SOL. PUMP ASY(200/400-3-50)DESIGN #2	16JB0101564	->	->	->
143A	MOTOR (230/460-3-60)	16JB660031	->	->	->
143B	MOTOR (575-3-60)	16JA010027	->	->	->
143C	MOTOR (600-3-60)	16JA010027	->	->	->
143D	MOTOR (200/400-3-50)	16JB660031	->	->	->
144	STATOR	NLA	->	->	->
145	ROTOR	NLA	->	->	->
146	BEARING	16JB680009	->	->	->
147	BEARING	16JB680009	->	->	->
148	SPRING	KT592P010	->	->	->
149	CLIP	KT592P020	->	->	->
150A	WEAR RING,MOTOR (230/460-3-60)	KK09XC042	->	->	->
150B	WEAR RING,MOTOR (575-3-60)	KK09XC042	->	->	->
150C	WEAR RING,MOTOR (600-3-60)	KK09XC042	->	->	->
150D	WEAR RING,MOTOR (200/400-3-50)	KK09XC042	->	->	->
151A	WEAR RING,CASING (230/460-3-60)	KK09XC042	->	->	->
151B	WEAR RING,CASING (575-3-60)	KK09XC042	->	->	->
151C	WEAR RING,CASING (600-3-60)	KK09XC042	->	->	->
151D	WEAR RING,CASING (200/400-3-50)	KK09XC042	->	->	->
152	GASKET	16JA010002	->	->	->
153A	IMPELLER (230/460-3-60)	KK75XA540	->	->	->
153B	IMPELLER (575-3-60)	KK75XA540	->	->	->
153C	IMPELLER (600-3-60)	KK75XA540	->	->	->
153D	IMPELLER (200/400-3-50)	KK75XA541	->	->	->
154	LOCK WASHER,IMPELLER	KT592P021	->	->	->
155	LOCK SCREW,IMPELLER	KT592P031	->	->	->
156A	SOL. PUMP ASY(230/460-3-60)DESIGN #3	16JB010178	->	->	->
156B	SOL. PUMP ASY(575-3-60)DESIGN #3	16JB010178-1	->	->	->
156C	SOL. PUMP ASY(600-3-60)DESIGN #3	16JB010178-3	->	->	->
156D	SOL. PUMP ASY(200/400-3-50)DESIGN #3	16JB010198	->	->	->
157A	MOTOR (230/460-3-60)	16JB660031	->	->	->
157B	MOTOR (575-3-60)	16JB660033	->	->	->
157C	MOTOR (600-3-60)	16JB660033	->	->	->
157D	MOTOR (200/400-3-50)	16JB660031	->	->	->
158A	STATOR (230/460-3-60)	16JB660006	->	->	->
158B	STATOR (575-3-60)	NLA	->	->	->
158C	STATOR (600-3-60)	NLA	->	->	->
158D	STATOR (200/400-3-50)	16JB660006	->	->	->
159A	ROTOR (230/460-3-60)	16JB680004	->	->	->
159B	ROTOR (575-3-60)	16JB680004	->	->	->
159C	ROTOR (600-3-60)	16JB680004	->	->	->
159D	ROTOR (200/400-3-50)	16JB680004	->	->	->
160	BEARING	16JB680006	->	->	->
161	BEARING	16JB680006	->	->	->
162	SPRING	KT592P010	->	->	->
163A	WEAR RING,MOTOR (230/460-3-60)	KK09XD018	->	->	->

PARTS LIST CATALOG

PARTS LIST PAGE: 005

CATALOG NO.: RCD-3516-007 REV. A
SUPERSEDES : RCD-3516-007 REV.

NOTE: SEE "CATALOG NOTES" ON LAST PAGE FOR EXPLANATION OF SYMBOLISM.



SINGLE EFFECT HERMETIC ABSORPTION LIQUID CHILLER

SIZE: 010 068
SERIES: CMX

ITM	PART DESCRIPTION	16JB010	16JB012	16JB014	16JB018
		ALL VOLTAGES	ALL VOLTAGES	ALL VOLTAGES	ALL VOLTAGES
SOLUTION PUMP ASSEMBLY					
163B	WEAR RING,MOTOR (575-3-60)	KK09XD018	->	->	->
163C	WEAR RING,MOTOR (600-3-60)	KK09XD018	->	->	->
163D	WEAR RING,MOTOR (200/400-3-50)	KK09XD018	->	->	->
164A	WEAR RING,CASING (230/460-3-60)	KK09XC042	->	->	->
164B	WEAR RING,CASING (575-3-60)	KK09XC042	->	->	->
164C	WEAR RING,CASING (600-3-60)	KK09XC042	->	->	->
164D	WEAR RING,CASING (200/400-3-50)	KK09XC042	->	->	->
165	GASKET	16JA010002	->	->	->
166A	IMPELLER (230/460-3-60)	KK75XA540	->	->	->
166B	IMPELLER (575-3-60)	KK75XA540	->	->	->
166C	IMPELLER (600-3-60)	KK75XA540	->	->	->
166D	IMPELLER (200/400-3-50)	KK75XA541	->	->	->
167	LOCK WASHER,IMPELLER	KT592P021	->	->	->
168	LOCK SCREW,IMPELLER	KT592P031	->	->	->
169A	SOL. PUMP ASY(230/460-3-60)DESIGN #4	16JB010148	->	->	->
169B	SOL. PUMP ASY(575-3-60)DESIGN #4	16JB010148-1	->	->	->
169C	SOL. PUMP ASY(600-3-60)DESIGN #4	16JB010148-6	->	->	->
169D	SOL. PUMP ASY(200/400-3-50)DESIGN #4	16JB010158	->	->	->
170A	MOTOR (230/460-3-60)	16JB660031	->	->	->
170B	MOTOR (575-3-60)	16JB660033	->	->	->
170C	MOTOR (600-3-60)	16JB660033	->	->	->
170D	MOTOR (200/400-3-50)	16JB660031	->	->	->
171	BEARING	16JT680011	->	->	->
172	BEARING	16JT680011	->	->	->
173	SPRING	16JT680015	->	->	->
174A	WEAR RING,MOTOR (230/460-3-60)	KK09XD018	->	->	->
174B	WEAR RING,MOTOR (575-3-60)	KK09XD018	->	->	->
174C	WEAR RING,MOTOR (600-3-60)	KK09XD018	->	->	->
174D	WEAR RING,MOTOR (200/400-3-50)	KK09XD018	->	->	->
175A	WEAR RING,CASING (230/460-3-60)	KK09XC042	->	->	->
175B	WEAR RING,CASING (575-3-60)	KK09XC042	->	->	->
175C	WEAR RING,CASING (600-3-60)	KK09XC042	->	->	->
175D	WEAR RING,CASING (200/400-3-50)	KK09XC042	->	->	->
176	GASKET	16JT680009	->	->	->
177A	IMPELLER (230/460-3-60)	KK75XA540	->	->	->
177B	IMPELLER (575-3-60)	KK75XA540	->	->	->
177C	IMPELLER (600-3-60)	KK75XA540	->	->	->
177D	IMPELLER (200/400-3-50)	KK75XA541	->	->	->
178	LOCK WASHER,IMPELLER	KT592P021	->	->	->
179	LOCK SCREW,IMPELLER	KT592P031	->	->	->
NOTE: ALL EXPLOSION PROOF PUMPS LISTED BELOW ARE 230/460-3-60.					
180	SOL. PUMP (EXPLOSION PROOF)DESIGN #2	16JA0101564-3	->	->	->
181	SOL. PUMP (EXPLOSION PROOF)DESIGN #3	16JB010178-2	->	->	->
182	SOL. PUMP (EXPLOSION PROOF)DESIGN #4	16JB010148-2	->	->	->
ELECTRONIC STEAM VALVE					
183A	ELEC. STEAM VALVE ASY(CAGED 2-1/2)	16JB010328	->	->	->
183B	ELEC. STEAM VALVE ASY(CAGED 3A)	16JB010338	->	->	->
183C	ELEC. STEAM VALVE ASY(CAGED 3B)	16JB010348	->	->	->
183D	ELEC. STEAM VALVE ASY(CAGED 4A)	16JB010358	->	->	->
183E	ELEC. STEAM VALVE ASY(CAGED 4B)	16JB010368	->	->	->
184	MOTOR (HONEYWELL)	SEE BULLETIN #A9308	->	->	->
185	LINKAGE (HONEYWELL)	EF09B2017	->	->	->
186	AUXILLARY SWITCH (HONEYWELL)	EF09Z8350	->	->	->
187A	O-RING,CAGE (2-1/2A) (HONEYWELL)	(2) KK71EL149	(2) ->	(2) ->	(2) ->

PARTS LIST CATALOG

PARTS LIST PAGE: 006

CATALOG NO.: RCD-3516-007 REV. A
SUPERSEDES : RCD-3516-007 REV.

NOTE: SEE "CATALOG NOTES" ON LAST PAGE FOR EXPLANATION OF SYMBOLISM.



SINGLE EFFECT HERMETIC
ABSORPTION LIQUID
CHILLER

16JB

SIZE: 010 068
SERIES: CMX

ITM	PART DESCRIPTION	16JB010		16JB012		16JB014		16JB018	
		ALL VOLTAGES		ALL VOLTAGES		ALL VOLTAGES		ALL VOLTAGES	
ELECTRONIC STEAM VALVE									
187B	O-RING,CAGE (3A & 3B) (HONEYWELL)	(2)	KK71EL152	(2)	->	(2)	->	(2)	->
187C	O-RING,CAGE (4A & 4B) (HONEYWELL)	(2)	KK71EL156	(2)	->	(2)	->	(2)	->
188A	GASKET,BONNET (2-1/2A) (HONEYWELL)		EF69ZB542		->		->		->
188B	GASKET,BONNET (3A & 3B) (HONEYWELL)		EF69ZB602		->		->		->
188C	GASKET,BONNET (4A & 4B) (HONEYWELL)		EF69ZB712		->		->		->
189A	CAGE (2-1/2A) (HONEYWELL)		EF69ZB544		->		->		->
189B	CAGE (3A) (HONEYWELL)		EF69ZB604		->		->		->
189C	CAGE (3B) (HONEYWELL)		EF69ZB605		->		->		->
189D	CAGE (4A) (HONEYWELL)		EF69ZB714		->		->		->
189E	CAGE (4B) (HONEYWELL)		EF69ZB715		->		->		->
190A	O-RING,PLUG (2-1/2A) (HONEYWELL)		KK71EL230		->		->		->
190B	O-RING,PLUG (3A & 3B) (HONEYWELL)		KK71EL234		->		->		->
190C	O-RING,PLUG (4A & 4B) (HONEYWELL)		KK71EL242		->		->		->
191A	PLUG & STEM (2-1/2A) (HONEYWELL)		EF69ZB541		->		->		->
191B	PLUG & STEM (3A & 3B) (HONEYWELL)		EF69ZB601		->		->		->
191C	PLUG & STEM (4A & 4B) (HONEYWELL)		EF69ZB711		->		->		->
192	PACKING (HONEYWELL)		EF69ZB543		->		->		->
193A	ELECTRONIC CONTROLS KIT (60HZ) (B-C)		16JB660027		->		->		->
193B	ELECTRONIC CONTROLS KIT (50HZ) (B-C)		16JB660028		->		->		->
KIT USED TO CONVERT FROM HONEYWELL TO BARBER-COLMAN CAPACITY CONTROL.									
194A	MOTOR,ACTUATOR (60HZ)		16JB680050		->		->		->
194B	MOTOR,ACTUATOR (50HZ)		16JB680051		->		->		->
195	SENSOR,CHILLED WATER		16JB680052		->		->		->
196	CONTROLLER,TEMPERATURE		16JB680053		->		->		->
197	ADJUSTER,TEMP. SET POINT		16JB680054		->		->		->
198A	ELEC. STEAM VALVE ASY (CAGED 5A)		16JB010378		->		->		->
198B	ELEC. STEAM VALVE ASY (CAGED 5B)		16JB010388		->		->		->
198C	ELEC. STEAM VALVE ASY (CAGED 6A)		16JB010408		->		->		->
199	MOTOR (HONEYWELL)		SEE BULLETIN #A9308		->		->		->
200	LINKAGE (HONEYWELL)		EF09BZ017		->		->		->
201	AUXILIARY SWITCH (HONEYWELL)		NSS		->		->		->
202	O-RING,CAGE		NSS		->		->		->
203A	GASKET,BONNET (5A & 5B) (HONEYWELL)		EF69ZB752		->		->		->
203B	GASKET,BONNET (6A) (HONEYWELL)		EF69ZB791		->		->		->
204	CAGE (HONEYWELL)		EF69ZB754		->		->		->
205	O-RING,PLUG (HONEYWELL)		NSS		->		->		->
206	PLUG & STEM (HONEYWELL)		EF69ZB751		->		->		->
207	PACKING (HONEYWELL)		EF69ZB543		->		->		->
208A	ELECTRONIC CONTROLS KIT (60HZ)		16JB660027		->		->		->
208B	ELECTRONIC CONTROLS KIT (50HZ)		16JB660028		->		->		->
KIT USED TO CONVERT FROM HONEYWELL TO BARBER-COLMAN CAPACITY CONTROL.									
209A	MOTOR,ACTUATOR (60HZ)		16JB680050		->		->		->
209B	MOTOR,ACTUATOR (50HZ)		16JB680051		->		->		->
210	SENSOR,CHILLED WATER		16JB680052		->		->		->
211	CONTROLLER,TEMPERATURE		16JB680053		->		->		->
212	ADJUSTER,TEMP. SET POINT		16JB680054		->		->		->
213A	ELEC. BUTTERFLY STEAM VALVE (2C)		16JB010221 NLA		->		->		->
213B	ELEC. BUTTERFLY STEAM VALVE (2-1/2C)		16JB012221 NLA		->		->		->
213C	ELEC. BUTTERFLY STEAM VALVE (3C)		16JB014221 NLA		->		->		->
213D	ELEC. BUTTERFLY STEAM VALVE (4C)		16JB018221 NLA		->		->		->
213E	ELEC. BUTTERFLY STEAM VALVE (5C)		16JB010398		->		->		->
214	MOTOR (HONEYWELL)		SEE BULLETIN #A9308		->		->		->
215	SWITCH (HONEYWELL)		EF09ZB350		->		->		->
216A	VALVE (2C) (HONEYWELL)		16JB0102232		->		->		->

PARTS LIST CATALOG

PARTS LIST PAGE: 007

CATALOG NO.: RCD-3516-007 REV. A
SUPERSEDES : RCD-3516-007 REV.

NOTE: SEE "CATALOG NOTES" ON LAST PAGE FOR EXPLANATION OF SYMBOLISM.



SINGLE EFFECT HERMETIC
 ABSORPTION LIQUID
 CHILLER

16JB

SIZE: 010 068
 SERIES: CMX

ITM	PART DESCRIPTION	16JB010	16JB012	16JB014	16JB018
		ALL VOLTAGES	ALL VOLTAGES	ALL VOLTAGES	ALL VOLTAGES
ELECTRONIC STEAM VALVE					
216B	VALVE (2-1/2C) (HONEYWELL)	16JB0102242	->	->	->
216C	VALVE (3C) (HONEYWELL)	16JB0102252	->	->	->
216D	VALVE (4C) (HONEYWELL)	16JB0102262	->	->	->
216E	VALVE (5C) (HONEYWELL)	16JB0102272	->	->	->
217A	TAPER PINS (2C,2-1/2C & 3C) (HON	(2) 16JB010002	(2) ->	(2) ->	(2) ->
217B	TAPER PINS (4C) (HONEYWELL)	(2) 16JB010008	(2) ->	(2) ->	(2) ->
217C	TAPER PINS (5C) (HONEYWELL)	(2) 16JB010007	(2) ->	(2) ->	(2) ->
218	LINK (HONEYWELL)	16JB010005	->	->	->
219	KEY (4C & 5C) (HONEYWELL)	16JB010006	->	->	->
220A	PACKING SET (2C,2-1/2C,3C) (HONEYW	16JB010013	->	->	->
220B	PACKING SET (4C & 5C) (HONEYWELL)	16JB010014	->	->	->
221A	V-RINGS (2C,2-1/2C,3C) (HONEYWEL	(8) 16JB010013	(8) ->	(8) ->	(8) ->
221B	V-RINGS (4C & 5C) (HONEYWELL)	(8) 16JB010014	(8) ->	(8) ->	(8) ->
222A	MALE ADAPTERS (2C,2-1/2C,3C)(HON	(2) 16JB680059	(2) ->	(2) ->	(2) ->
222B	MALE ADAPTERS (4C & 5C) (HONEYWE	(2) 16JB010009	(2) ->	(2) ->	(2) ->
223A	ELECTRONIC CONTROLS KIT (60HZ)	16JB660027	->	->	->
223B	ELECTRONIC CONTROLS KIT (50HZ)	16JB660028	->	->	->
	KIT USED TO CONVERT FROM HONEYWELL TO BARBER-COLMAN CAPACITY CONTROL.				
224A	MOTOR,ACTUATOR (60HZ)	16JB680050	->	->	->
224B	MOTOR,ACTUATOR (50HZ)	16JB680051	->	->	->
225	SENSOR,CHILLED WATER	16JB680052	->	->	->
226	CONTROLLER,TEMPERATURE	16JB680053	->	->	->
227	ADJUSTER,TEMP. SET POINT	16JB680054	->	->	->
PNEUMATIC STEAM VALVE					
228A	PNEU. CAGED STEAM VALVE (2-1/2A)	EF61MB012	->	->	->
228B	PNEU. CAGED STEAM VALVE (3A)	EF61MB013	->	->	->
228C	PNEU. CAGED STEAM VALVE (3B)	EF61JB013	->	->	->
228D	PNEU. CAGED STEAM VALVE (4A)	EF61MB014	->	->	->
228E	PNEU. CAGED STEAM VALVE (4B)	EF61JB014	->	->	->
229	ACTUATOR	EF69ZB015	->	->	->
230	DIAPHRAGM	16JA010022	->	->	->
231	PILOT POSITIONER	EF69ZB025	->	->	->
232	SPRING,PILOT POSITIONER	16HA005022	->	->	->
233A	O-RING,CAGE (2-1/2A)	(2) KK71EL149	(2) ->	(2) ->	(2) ->
233B	O-RING,CAGE (3A & 3B)	(2) KK71EL152	(2) ->	(2) ->	(2) ->
233C	O-RING,CAGE (4A & 4B)	(2) KK71EL156	(2) ->	(2) ->	(2) ->
234A	GASKET,BONNET (2-1/2A)	EF69ZB542	->	->	->
234B	GASKET,BONNET (3A & 3B)	EF69ZB602	->	->	->
234C	GASKET,BONNET (4A & 4B)	EF69ZB712	->	->	->
235A	CAGE (2-1/2A)	EF69ZB544	->	->	->
235B	CAGE (3A)	EF69ZB604	->	->	->
235C	CAGE (3B)	EF69ZB605	->	->	->
235D	CAGE (4A)	EF69ZB714	->	->	->
235E	CAGE (4B)	EF69ZB715	->	->	->
236A	O-RING,PLUG (2-1/2A)	KK71EL230	->	->	->
236B	O-RING,PLUG (3A & 3B)	KK71EL234	->	->	->
236C	O-RING,PLUG (4A & 4B)	KK71EL242	->	->	->
237A	PLUG & STEM (2-1/2A)	EF69ZB541	->	->	->
237B	PLUG & STEM (3A & 3B)	EF69ZB601	->	->	->
237C	PLUG & STEM (4A & 4B)	EF69ZB711	->	->	->
238	PACKING	EF69ZB543	->	->	->
239A	PNEU. BUTTERFLY STEAM VALVE (2C)	16JB010201	->	->	->
239B	PNEU. BUTTERFLY STEAM VALVE (2-1/2C)	16JB012201	->	->	->
239C	PNEU. BUTTERFLY STEAM VALVE (3C)	16JB014201	->	->	->

PARTS LIST CATALOG

PARTS LIST PAGE: 008

CATALOG NO.: RCD-3516-007 REV. A
 SUPERSEDES : RCD-3516-007 REV.

NOTE: SEE "CATALOG NOTES" ON LAST PAGE FOR EXPLANATION OF SYMBOLISM.



SINGLE EFFECT HERMETIC
ABSORPTION LIQUID
CHILLER

16JB

SIZE: 010 068
SERIES: CMX

ITM	PART DESCRIPTION	16JB010	16JB012	16JB014	16JB018
		ALL VOLTAGES	ALL VOLTAGES	ALL VOLTAGES	ALL VOLTAGES
PNEUMATIC STEAM VALVE					
239D	PNEU. BUTTERFLY STEAM VALVE (4C)	16JB018201	->	->	->
239E	PNEU. BUTTERFLY STEAM VALVE (5C)	16JB010294	->	->	->
240	ACTUATOR	16JB0102312	->	->	->
241	DIAPHRAGM	16JB010012	->	->	->
242A	VALVE (2C)	16JB0102182	->	->	->
242B	VALVE (2-1/2C)	16JB0102192	->	->	->
242C	VALVE (3C)	16JB0102202	->	->	->
242D	VALVE (4C)	16JB0102212	->	->	->
242E	VALVE (5C)	16JB0102222	->	->	->
243A	TAPER PINS (2C, 2-1/2C, 3C)	(2) 16JB010002	(2) ->	(2) ->	(2) ->
243B	TAPER PINS (4C)	(2) 16JB010008	(2) ->	(2) ->	(2) ->
243C	TAPER PINS (5C)	(2) 16JB010007	(2) ->	(2) ->	(2) ->
244	LINK	16JB010005	->	->	->
245	KEY (4C & 5C)	16JB010006	->	->	->
246A	PACKING SET (2C, 2-1/2C, 3C)	16JB010013	->	->	->
246B	PACKING SET (4C & 5C)	16JB010014	->	->	->
247A	"V" RINGS (2C, 2-1/2C, 3C)	16JB010013	->	->	->
247B	"V" RINGS (4C & 5C)	(8) 16JB010014	(8) ->	(8) ->	(8) ->
248A	MALE ADAPTERS (2C, 2-1/2C, 3C)	(2) 16JB680059	(2) ->	(2) ->	(2) ->
248B	MALE ADAPTERS (4C & 5C)	(2) 16JB010009	(2) ->	(2) ->	(2) ->
MECHANICAL CONTROLS GROUP					
249A	CONV. KIT, FROM PNEU. TO ELEC. (60HZ)	16JB660027	->	->	->
249B	CONV. KIT, FROM PNEU. TO ELEC. (50HZ)	16JB660028	->	->	->
250	REED SWITCH (5") (PURGE SEP. CHAMBER)	16JB010302	->	->	->
251	REED SWITCH (7-1/2") (PURGE STORAGE)	16JB010342	->	->	->
252	REED SWITCH (16-1/8") (DILUTION LEVEL)	16JA010794-1	->	->	->
253	REED SWITCH (10-1/8") (LOW LEVEL)	16JA010994	->	->	->
254A	TRANSFORMER (190/208/230/380/460V)	16JA010222	->	->	->
254B	TRANSFORMER (600V)	N/A	->	->	->
256	SWITCH (SPST)	(3) HR532A035	(3) ->	(3) ->	(3) ->
257	TOGGLE SWITCH (SPDT)	HR53VR026	->	->	->
258	SWITCH (SPDT)	HR54Z001	->	->	->
259	DOOR LOCK (CORBIN-15760XC45)	PROCURE LOCALLY	->	->	->
260	DISCONNECT SWITCH	HR61EZ010	->	->	->
261	TEMP CONTROLLER-LTCD (20" ELEMENT)	HH22AG106	->	->	->
262	RESET, PUSH BUTTON	(2) HR73AZ020	(2) ->	(2) ->	(2) ->
263	LIGHT, YELLOW	HY19AZ004	->	->	->
264	LIGHT, RED	HY19AZ002	->	->	->
265	RELAY	(4) HN61KL031	(4) ->	(4) ->	(4) ->
266A	INDICATOR, ELAPSED TIME (60 HZ)	19EA660035	->	->	->
266B	INDICATOR, ELAPSED TIME (50 HZ)	HK28TA116	->	->	->
268	TEMPERATURE CONTROLLER	(2) HH22AG108	(2) ->	(2) ->	(2) ->
269	FUSE HOLDER	HKP-HH	->	->	->
270	FUSE (BUSSMAN-GLH-10A)	X	X	X	X
271	TEMPERATURE SENSOR (ELEC. ONLY)	HH19AZ031	->	->	->
272	CONTROL POINT ADJUSTER (ELEC. ONLY)	HT24AZ115	->	->	->
273	TEMPERATURE CONTROLLER (PNEU. ONLY)	16JB680056	->	->	->
274	PRESSURE GAUGE (PNEU. ONLY)	PROCURE LOCALLY	->	->	->
275	SWITCH (ELECTRONIC CONTROLLED PNEU.)	HL73DC009	->	->	->
276	RESET SWITCH (CUTLER HAMMER-7583K8)	PROCURE LOCALLY	->	->	->
277	TUBING (IMPERIAL EASTMAN-44P)	PROCURE LOCALLY	->	->	->
278	CONNECTOR (FOR IT # 290)	(7) DC05CA053	(7) ->	(7) ->	(7) ->
279	TEMPERATURE SENSOR	HL15ME110	->	->	->
280	SEPARABLE WELL (FOR ITEM # 278)	HL79MZ100	->	->	->

PARTS LIST CATALOG

PARTS LIST PAGE: 009

CATALOG NO.: RCD-3516-007 REV. A
SUPERSEDES : RCD-3516-007 REV.

NOTE: SEE "CATALOG NOTES" ON LAST PAGE FOR EXPLANATION OF SYMBOLISM.



SINGLE EFFECT HERMETIC
 ABSORPTION LIQUID
 CHILLER

16JB

SIZE: 010 068
 SERIES: CMX

ITM	PART DESCRIPTION	16JB010	16JB012	16JB014	16JB018
		ALL VOLTAGES	ALL VOLTAGES	ALL VOLTAGES	ALL VOLTAGES
MECHANICAL CONTROLS GROUP					
281	SWITCH (10-SIDE,PRESS. ACTUATED)	HK02AC015	->	->	->
282	STARTER (30 AMP)	(2) HN03LC510	(2) ->	(2) ->	(2) ->
283 N	CONTACT KIT	(6) HN79LZ120	(6) ->	(6) ->	(6) ->
284 N	OVERLOAD RELAY	(2) HN68JX003	(2) ->	(2) ->	(2) ->
285 N	COIL	(2) HN72LZ251	(2) ->	(2) ->	(2) ->
286	CONTACTOR (25 AMP)(A.O.SMITH)	(2) HN53CB115A	(2) ->	(2) ->	(2) ->
287 N	CONTACT KIT	(6) HN79CZ030	(6) ->	(6) ->	(6) ->
288 N	OVERLOAD RELAY	(2) HN68JX003	(2) ->	(2) ->	(2) ->
289 N	COIL	(2) HN72CZ101	(2) ->	(2) ->	(2) ->
290	CONTACTOR (25 AMP)(GENERAL ELECTRIC)	(2) HN53CB115B	(2) ->	(2) ->	(2) ->
291 N	CONTACT KIT	(2) HN79HZ206	(2) ->	(2) ->	(2) ->
292 N	OVERLOAD RELAY	(2) HN68JX003	(2) ->	(2) ->	(2) ->
293 N	COIL	(2) HN72HZ224	(2) ->	(2) ->	(2) ->
294	CONTACTOR (25 AMP)(ARROW HART/HEGEMA)	(2) HN53CB115C	(2) ->	(2) ->	(2) ->
295 N	CONTACT KIT	(6) HN79LZ122	(6) ->	(6) ->	(6) ->
296 N	OVERLOAD RELAY	(2) HN68JX003	(2) ->	(2) ->	(2) ->
297 N	COIL	(2) NOT STOCKED	(2) ->	(2) ->	(2) ->
298	CONTACTOR (25 AMP)(CUTLER HAMMER)	(2) HN53CB115D	(2) ->	(2) ->	(2) ->
299 N	CONTACT KIT	(6) HN79AZ003	(6) ->	(6) ->	(6) ->
300 N	OVERLOAD RELAY	(2) HN68JX003	(2) ->	(2) ->	(2) ->
301 N	COIL	(2) HN53CB115	(2) ->	(2) ->	(2) ->
302	CONTACTOR (40 AMP)(A.O.SMITH)	(2) HN53CD115A	(2) ->	(2) ->	(2) ->
303 N	CONTACT KIT	(6) HN79CZ040	(6) ->	(6) ->	(6) ->
304 N	OVERLOAD RELAY	(2) HN68JX003	(2) ->	(2) ->	(2) ->
305 N	COIL	(2) HN72CZ101	(2) ->	(2) ->	(2) ->
306	CONTACTOR (40 AMP)(GENERAL ELECTRIC)	(2) HN53CD115B	(2) ->	(2) ->	(2) ->
307 N	CONTACT KIT	(2) HN79HZ209	(2) ->	(2) ->	(2) ->
308 N	OVERLOAD RELAY	(2) HN68JX003	(2) ->	(2) ->	(2) ->
309 N	COIL	(2) HN72HZ224	(2) ->	(2) ->	(2) ->
310	CONTACTOR (40 AMP)(CUTLER HAMMER)	(2) HN53CD115D	(2) ->	(2) ->	(2) ->
311 N	CONTACT KIT	(6) HN79AZ004	(6) ->	(6) ->	(6) ->
312 N	OVERLOAD RELAY	(2) HN68JX003	(2) ->	(2) ->	(2) ->
313 N	COIL	(2) HN72AZ341	(2) ->	(2) ->	(2) ->
PIC CONTROLS GROUP					
314	THERMISTOR (5K)	(11) HH79NZ047	(11) ->	(11) ->	(11) ->
315	THERMISTOR (100K)	(2) HH79NZ070	(2) ->	(2) ->	(2) ->
316	TRANSDUCER,LOW PRESSURE	HK05Y2002	->	->	->
317	FLOAT SWITCH (ANALOG)	16JT810788	->	->	->
318	FLOAT SWITCH (REED SWITCH)	16JT8571090	->	->	->
319	TEMPERATURE SWITCH,HIGH	11B06-46	->	->	->
320	TEMPERATURE SWITCH,LOW	TNSC114Y	->	->	->
321	SENSOR CABLE,THERMISTOR	HH79NZ072	->	->	->
322	SENSOR CABLE,TRANSDUCER	16JT810798	->	->	->
323A	CONTROL PANEL,PIC (208-240/3/60)	16JB010758	->	->	->
323B	CONTROL PANEL,PIC (416-480/3/60)	16JB010768	->	->	->
323C	CONTROL PANEL,PIC (550-600/3/60)	16JB010778	->	->	->
323D	CONTROL PANEL,PIC (380/3/50)	16JB010788	->	->	->
324	FUSED DISCON. (FDC)(TELEMECANIQUE)	D1053	->	->	->
325A	FUSE (208-240V) (FDC)	(3) FRSR-40	(3) ->	(3) ->	(3) ->
325B	FUSE (416-480V) (FDC)	(3) FRS-R20	(3) ->	(3) ->	(3) ->
325C	FUSE (550-600V) (FDC)	(3) FRS-R15	(3) ->	(3) ->	(3) ->
325D	FUSE (380V-50HZ) (FDC)	(3) FRS-R25	(3) ->	(3) ->	(3) ->
326	HANDLE,NEMA 12 (TELEMECANIQUE)	D115F4	->	->	->
327	CODLING FAN KIT (DAYTON)	4C550/4C551/5C032	->	->	->

PARTS LIST CATALOG

PARTS LIST PAGE: 010

CATALOG NO.: RCD-3516-007 REV. A
 SUPERSEDES : RCD-3516-007 REV.

NOTE: SEE "CATALOG NOTES" ON LAST PAGE FOR EXPLANATION OF SYMBOLISM.



SINGLE EFFECT HERMETIC
ABSORPTION LIQUID
CHILLER

16JB

SIZE: 010 068
SERIES: CMX

ITM	PART DESCRIPTION	16JB010	16JB012	16JB014	16JB018
		ALL VOLTAGES	ALL VOLTAGES	ALL VOLTAGES	ALL VOLTAGES
PIC CONTROLS GROUP					
328	LID LB,BACKLIT (UTEC)	CEPL130230-01	->	->	->
329	DOOR LATCH,3-POINT (EMKA INC.)	1125-U206-01G	->	->	->
330	INDICATOR LIGHT,RED	16JB0101115	->	->	->
331	INDICATOR LIGHT,WHITE	(2) 16JT8121108	(2) ->	(2) ->	(2) ->
332	INDICATOR LIGHT,GREEN	(2) 16JT8101108	(2) ->	(2) ->	(2) ->
333	SELECTOR SWITCH (AUTO/MANUAL)	16JT8101106	->	->	->
334	TRANSFORMER (TR7)	16JT8101101	->	->	->
335	TRANSFORMER (TR1,TR2)	(2) HT01BD113	(2) ->	(2) ->	(2) ->
336	TRANSFORMER (TR5)	HT01AW235	->	->	->
337	TRANSFORMER (TR4)	HK35AA002	->	->	->
338	TERM.BLOCKS(TB2,TB3)(ALLEN-BRADLEY)	(175) 1492-W4	(175) ->	(175) ->	(175) ->
339	TERM.BLOCKS(TB1)(ALLEN-BRADLEY)	(54) 1492-W6	(54) ->	(54) ->	(54) ->
340	MODULE,PIC (PC6400)	16JB010698	->	->	->
341	MODULE,PSIO (SLAVE)	CEPL110189-02	->	->	->
342	MODULE,8 INPUT/OUTPUT	(2) CEPL120773-01	(2) ->	(2) ->	(2) ->
343	CONNECTOR (18-PIN)	(3) HY84EE021	(3) ->	(3) ->	(3) ->
344	CONNECTOR (3-PIN)	HY84EE003	->	->	->
345	CONNECTOR (4-PIN)	HY84EE004	->	->	->
346	RELAY BOARD (6-PACK) (RB1,RB2)	(2) HK35AA001	(2) ->	(2) ->	(2) ->
347	RELAY,2 POLE (CR1-CR9)	(9) 16JT8101102	(9) ->	(9) ->	(9) ->
348	FUSE BLOCK (FB6) (MARATHON)	F30A15P	->	->	->
349A	FUSE (208-240V) (FB6)	HY10NJ005	->	->	->
349B	FUSE (416-480V) (FB6)	HY10NJ005	->	->	->
349C	FUSE (550-600V) (FB6)	HY10NJ005	->	->	->
349D	FUSE (380V 50HZ) (FB6)	HY10NJ005	->	->	->
350	TERM. BLOCK (TERM) (MARATHON)	208	->	->	->
351	STARTER BLOCK (RP1,RP2)	(2) 16JT8101103	(2) ->	(2) ->	(2) ->
352	FUSE BLOCK (F1,F2)	(2) 16JT8101104	(2) ->	(2) ->	(2) ->
353A	FUSE (208-240V) (F1)	(3) FRS-R20	(3) ->	(3) ->	(3) ->
353B	FUSE (416-480V) (F1)	(3) FRS-R10	(3) ->	(3) ->	(3) ->
353C	FUSE (550-600V) (F1)	(3) FRS-R10	(3) ->	(3) ->	(3) ->
353D	FUSE (380V 50HZ) (F1)	(3) FRS-R10	(3) ->	(3) ->	(3) ->
354A	FUSE (208-240V) (F2)	(3) FRS-R20	(3) ->	(3) ->	(3) ->
354B	FUSE (416-480V) (F2)	(3) FRS-R10	(3) ->	(3) ->	(3) ->
354C	FUSE (550-600V) (F2)	(3) FRS-R10	(3) ->	(3) ->	(3) ->
354D	FUSE (380V 50HZ) (F2)	(3) FRS-R20	(3) ->	(3) ->	(3) ->
355	OVERLOADS (OL1,OL2) (FURNAS)	(2) 48DC38AA4	(2) ->	(2) ->	(2) ->
356A	HEATER,OVERLOAD (208-240V) (SP)	(3) HN71JC054	(3) ->	(3) ->	(3) ->
356B	HEATER,OVERLOAD (416-480V) (SP)	(3) HN71JC041	(3) ->	(3) ->	(3) ->
356C	HEATER,OVERLOAD (550-600V) (SP)	(3) HN71JC037	(3) ->	(3) ->	(3) ->
356D	HEATER,OVERLOAD (380V 50HZ) (SP)	(3) HN71JC041	(3) ->	(3) ->	(3) ->
357A	HEATER,OVERLOAD (208-240V) (RP)	(3) HN71JC054	(3) ->	(3) ->	(3) ->
357B	HEATER,OVERLOAD (416-480V) (RP)	(3) HN71JC041	(3) ->	(3) ->	(3) ->
357C	HEATER,OVERLOAD (550-600V) (RP)	(3) HN71JC031	(3) ->	(3) ->	(3) ->
357D	HEATER,OVERLOAD (380V 50HZ) (RP)	(3) HN71JC041	(3) ->	(3) ->	(3) ->
358	CONNECTOR (9-POS.) (AMP)	(2) 350763-4	(2) ->	(2) ->	(2) ->
359	CONNECTOR (6-POS.) (AMP)	(2) 350762-4	(2) ->	(2) ->	(2) ->
360	CIRCUIT BREAKER	(3) HH8378001	(3) ->	(3) ->	(3) ->
MISCELLANEOUS GROUP					
361	BOLT PACKAGE,PUMP (ADDING 8 BOLTS)	16JB660016	->	->	->
362AN	ELAPSED TIME INDICATOR (60 HZ)	HK28DG115	->	->	->
362BN	ELAPSED TIME INDICATOR (50 HZ)	HK28DG116	->	->	->
363 N	OCTYL ALCOHOL (1 GALLON/3.7 LTRS)	16B4-1551	->	->	->
364 N	TUBE CLEANING BRUSH (3/4" TUBES)	KC21AH105	->	->	->

PARTS LIST CATALOG

PARTS LIST PAGE: 011

CATALOG NO. : RCD-3516-007 REV. A
SUPERSEDES : RCD-3516-007 REV.

NOTE: SEE "CATALOG NOTES" ON LAST PAGE FOR EXPLANATION OF SYMBOLISM.



SINGLE EFFECT HERMETIC
 ABSORPTION LIQUID
 CHILLER

16JB

SIZE: 010 068
 SERIES: CMX

ITM	PART DESCRIPTION	16JB010	16JB012	16JB014	16JB018
		ALL VOLTAGES	ALL VOLTAGES	ALL VOLTAGES	ALL VOLTAGES
MISCELLANEOUS GROUP					
365	N LITH BROMIDE(30 GAL)NON-INHIBITED	PS16CP030	->	->	->
366	N LITH BROMIDE(30 GAL)CHROMATE-INHI	PS25AL253	->	->	->
367	N LITH BROMIDE(10 GAL)NON-INHIBITED	PS20BL260	->	->	->
368	N LITH BROMIDE(10 GAL)CHROMATE-INHI	PS25AL251	->	->	->
369	N LITH HYDROXIDE(FOR ADJUSTING ALKY)	16JB032-003	->	->	->
370	N GASKET MATL 1/32"THK X 3'X 5'	QR01-37-3532	->	->	->
371	N GASKET MATL 1/16"THK X 3' X 5'	QR01-37-3516	->	->	->
372	N SAMPLE TEST BOTTLE	17M32231	->	->	->
373	N INHIBITOR #2 (36 GRAM) LITH NITRATE	PV07CZ-036	->	->	->
374	N INHIBITOR #2 (180 GRAM)LITH NITRATE	PV07CZ-180	->	->	->
375	N INHIBITOR #4 (4-1 GAL)LITH CHROMATE	PS25FL251	->	->	->
376	N LOCTITE WELD SEALANT	PE01LL021	->	->	->
377	N GALLON CONTAINER (PURGE EVACUATION)	1F51MB001	->	->	->
378	N MOUNTING BRKT.,PURGE EVAC. CONTAINER	X	X	X	X
379	N PURGE EXHAUST TUBE	16HA005-1949	->	->	->
380	N PURGE EXHAUST CONNECTOR	KA70PP050	->	->	->
381	N SOL TEST KIT (CHROMATE INHIBITORS)	KC16M2010	->	->	->
382	N FILTER & GASKET KIT	16JB660025	->	->	->
383	N FILTER CARTRIDGE	KH39ME600	->	->	->
384	N GASKET (FILTER CARTRIDGE)	16JB680016	->	->	->
385	N TOUCH UP PAINT (SPRAY)	PH23GL012	->	->	->
386	N WELD LEAK SEALANT	19EA680002	->	->	->

PARTS LIST CATALOG

PARTS LIST PAGE: 012

CATALOG NO. : REV.
 SUPERSEDES : REV.

NOTE: SEE "CATALOG NOTES" ON LAST PAGE FOR EXPLANATION OF SYMBOLISM.



SINGLE EFFECT HERMETIC
 ABSORPTION LIQUID
 CHILLER

16JB

SIZE: 010 068
 SERIES: CMX

ITM	PART DESCRIPTION	16JB021	16JB024	16JB028	16JB032
		ALL VOLTAGES	ALL VOLTAGES	ALL VOLTAGES	ALL VOLTAGES
GENERAL ASSEMBLY					
1	GASKET,CONDENSER WATER BOX	(2) 16JA0181044	(2) 16JA0241044	(2) ->	(2) ->
2	GASKET,GENERATOR WATER BOX (STEAM)	(2) 16JA0181034	(2) 16JA0241034	(2) ->	(2) 16JA0321034
3	GASKT,GENERATOR WATER BOX(HOT WATER)	(2) 16JA0181184	(2) 16JA0241184	(2) ->	(2) 16JA0321184
4	GASKET,ABSORBER WATER BOX	(2) 16JA0181174	(2) 16JA0241174	(2) ->	(2) 16JA0321174
5	GASKET,EVAPORATOR WATER BOX	(2) 16JA0181174	(2) 16JA0241174	(2) ->	(2) 16JA0321174
6	TUBES,EVAPORATOR (INTREGAL FIN)	(174) 99TF501334	(202) ->	(230) ->	(268) ->
7	TUBES,ABSORBER (PRIME SURFACE)	(152) 16JA0102992	(180) ->	(206) ->	(243) ->
8	REPLACEMENT TUBE BUNDLE,GEN. (STEAM)	16JB021111-1	16JB024111-1	16JB028111-1	16JB032111-1
9	TUBES,CONDENSER	(216) 16JA0102992	(216) ->	(216) ->	(216) ->
10	PARTITION PLATE,GENERATOR (STEAM)	16JA0212763	16JA0242763	16JA0282763	16JA0322763
	NOTE: REFER TO FIELD EXPERIENCE REPORT #72-2.				
11	PARTITION PLATE,GENERATOR (HOT WATER)	16JA0212533	16JA0242533	16JA0282533	16JA0322533
	NOTE: REFER TO FIELD EXPERIENCE REPORT #72-2.				
12	GASKET,GENERATOR PARTITION	16JB0181523	16JB0251523	16JB0241523	16JB0321523
	NOTE: REFER TO FIELD EXPERIENCE REPORT #72-2.				
13	RETAINER PLATE,GENERATOR PARTITION	16JA0182523	16JA0242523	->	16JA0322523
	NOTE: REFER TO FIELD EXPERIENCE REPORT #72-2.				
14	SCREW,SELF TAPPING (1/4-20 X 1" LG.)	(10) AK92AB170	(10) ->	(10) ->	(14) ->
	NOTE: REFER TO FIELD EXPERIENCE REPORT #72-2.				
15	HEAT EXCHANGER,SOLUTION	16JB018134-1	16JB024134-2	->	16JB032134-1
16	CHECK VALVE	EC37C2421	->	->	->
17	VALVE,BALL (1/2")	(4) EP71CQ181	(4) ->	(4) ->	(4) ->
18	VALVE,SOLENOID (FLOTENDER TM)	EF23CM422	->	->	->
19	COIL	EF19XM120	->	->	->
20	DIAPHRAGM & SPRING	EF29XM430	->	->	->
21	VALVE,DIAPHRAGM (1") (PURGE ASY)	EF71ZM006	->	->	->
22	REPLACEMENT DIAPHRAGM (1")	EF79ZM006	->	->	->
23	ADAPTER (1")	EM99Z2300	->	->	->
24	VALVE,DIAPHRAGM (1/2") (PURGE ASY)	EF71CA181	->	->	->
25	DIAPHRAGM (1/2")	EF79ZA181	->	->	->
26	FLOAT ASY (PURGE)(STORAGE CHAMBER)	16JB010543	->	->	->
	NOTE: REFER TO SERVICE BULLETIN A9205.				
27	FLOAT	16JB010332	->	->	->
28	FLOAT ASY (PURGE)(SEPERATION CHAMBER)	16JB010123	->	->	->
	NOTE: REFER TO SERVICE BULLETIN A9205.				
29	FLOAT	16JB010332	->	->	->
30	EDUCTOR ASY(PURGE)(W/DUT CHECK VALVE)	16JB660023	->	->	->
31	EDUCTOR ASY(PURGE)(WITH CHECK VALVE)	16JB010113	->	->	->
32	STRAINER ASSEMBLY	16JA010111	->	->	->
33	GASKET	16JB0101102	->	->	->
34	DISC	16JA010272	->	->	->
35	EDUCTOR	16JB660023	->	->	->
36	REFRIG. FLOAT ASY (LIC)(CYCLE GUARD)	16JB660017	->	->	->
	NOTE: USED ON MACHINES WITH BOX TYPE FLOAT CHAMBER AND THE TRI-LEVEL SWITCH,SEE BULLETIN A9205.				
37	FLOAT	16JB010352	->	->	->
38	COVER PLATE (10 HOLES)	16JB010412	->	->	->
39	GASKET,COVER (10 HOLES)	16JB0101943	->	->	->
40	SPACER	16JB0103042	->	->	->
41	GASKET,OUTLET	16JB0104092	->	->	->
42	SWITCH ASY,FLOAT(SEE BULLETIN A9205)	16JB018243	16JB024243	->	16JB032243
	NOTE: SWITCHES USED WHEN FLOAT CHAMBER IS LOCATED ON END OF MACHINE.				
43	SWITCH ASY,REED	(3) 16JB010302	(3) ->	(3) ->	(3) ->
44	SWITCH ASY,FLOAT(SEE BULLETIN A9205)	16JB018593	16JB024593	->	16JB032593

PARTS LIST CATALOG

PARTS LIST PAGE: 013

CATALOG NO. : RCD-3516-007 REV. A
 SUPERSEDES : RCD-3516-007 REV.

NOTE: SEE "CATALOG NOTES" ON LAST PAGE FOR EXPLANATION OF SYMBOLISH.



SINGLE EFFECT HERMETIC
 ABSORPTION LIQUID
 CHILLER

16JB

SIZE: 010 068
 SERIES: CMX

ITM	PART DESCRIPTION	16JB021		16JB024		16JB028		16JB032	
		ALL VOLTAGES		ALL VOLTAGES		ALL VOLTAGES		ALL VOLTAGES	
GENERAL ASSEMBLY									
	USED ON MACHINES WITH BOX TYPE FLOAT	CHAMBER AND THE TRI-LEVEL SWITCH.							
45	SWITCH ASY, REED	(3)	16JB010342	(3)	->	(3)	->	(3)	->
46	COVER, FLOAT BOX (20 HOLES)		16JB0104302		->		->		->
47	GASKET, FLOAT BOX COVER (20 HOLES)		16JB0104312		->		->		->
48	GASKET, OUTLET (10 HOLES)		16JB0101943		->		->		->
49	FLOAT ASY		16JB010603		->		->		->
50	FLOAT ASY, ANALOG		16JT810788		->		->		->
51	VALVE, DIAPHRAGM (1/2")		EF71CA181		->		->		->
52	DIAPHRAGM		EF79ZA181		->		->		->
53 N	ADAPTER		EM99AA522		->		->		->
54	FLOAT ASSEMBLY (W/EF79MZ006 DIAPH)		16JB010-332		->		->		->
55	SOLENOID VALVE (CYCLE GUARD)	(2)	EF23CM183	(2)	->	(2)	->	(2)	->
	NOTE: REFER TO SERVICE BULLETIN A9306.								
56A	COIL, SOLENOID VALVE (CYCLE GUARD)		EF19XM120		->		->		->
56B	COIL, SOLENOID VALVE (CYCLE GUARD)		EF19XM122		->		->		->
57A	REPAIR KIT, SOLENOID (FOR EF19XM120)		16JB660013		->		->		->
57B	REPAIR KIT, SOLENOID (FOR EF19XM122)		16JB660030		->		->		->
58	LIGHT (CYCLE GUARD)		HY19AD024		->		->		->
59	SOLENOID VALVE (LLC)	(2)	EF23CM183	(2)	->	(2)	->	(2)	->
	NOTE: REFER TO SERVICE BULLETIN A9306.								
60A	COIL, SOLENOID VALVE (LLC)		EF19XM120		->		->		->
60B	COIL, SOLENOID VALVE (LLC)		EF19XM122		->		->		->
61A	REPAIR KIT, SOLENOID (FOR EF19XM120)		16JB660013		->		->		->
61B	REPAIR KIT, SOLENOID (FOR EF19XM122)		16JB660030		->		->		->
62	"O" RING PACKAGE (QTY OF 60 KK71EM010)		16JT680039		->		->		->
63	GSKT, EVAPORATOR DIV PLT (25'ROLL)		19XB680001		->		->		->
64	GSKT, ABSORBER DIV PLT (25'ROLL)		19XB680001		->		->		->
65	NOZZLE, EVAPORATOR SPRAY	(32)	16JA010-312	(32)	->	(32)	->	(40)	->
66	NOZZLE, ABSORBER SPRAY	(72)	16JA010-322	(96)	->	(96)	->	(128)	->
67	RUPTURE DISC (2"-300 PSI)		EB59LY032		X		X		X
68	GASKET (USED ON ITEM # 49)	(2)	CT90YA401		X		X		X
69	RUPTURE DISC (3"-300 PSI)		X		EB59LY033		->		->
70	GASKET (USED ON ITEM # 51)		X	(2)	CT90YA501	(2)	->	(2)	->
71	RUPTURE DISC (4"-300 PSI)		X		X		X		X
72	GASKET (USED ON ITEM #53)		X		X		X		X
73	FLOAT SWITCH (DIL. LEVEL)(SEE A9205)		16JA010403		->		->		->
	USED IN EARLY MACHINES WITH SEPARATE	LOW LEVEL AND DILUTION SWITCHES.							
74	FLOAT		16JB010332		->		->		->
75	FLOAT SWITCH (LOW LEVEL)(SEE A9205)		16JA050403		->		->		->
	USED IN EARLY MACHINES WITH SEPARATE	LOW LEVEL AND DILUTION SWITCHES.							
76	FLOAT		16JB010332		->		->		->
ABSORBER VALVE ASSEMBLY									
77	VALVE, MANUAL DIAPHRAGM 1/2" SSM92321		EF71CQ181		->		->		->
78	DIAPHRAGM REPLACEMENT KIT		16JB660012		->		->		->
79	DIAPHRAGM		16JB0101023		->		->		->
80	GASKET (OUTSIDE)		16JB0101192		->		->		->
81	GASKET (INSIDE)		16JB0102372		->		->		->
82	GASKET, ABSORBER VALVE		16JB0102592		->		->		16JB0322592
83	"O" RING		KK71ZT004		->		->		KK71ZT005
84	"O" RING		KK71EM163		->		->		KK71EM164
85	PLUG		16JB0101033		->		->		16JB0321033
86	BUSHING		16JB0101242		->		->		->
87	PISTON		16JB0101212		->		->		->
88	BACKPLATE		16JB0101222		->		->		->

PARTS LIST CATALOG

PARTS LIST PAGE: 014

CATALOG NO.: RCD-3516-007 REV. A
 SUPERSEDES : RCD-3516-007 REV.

NOTE: SEE "CATALOG NOTES" ON LAST PAGE FOR EXPLANATION OF SYMBOLISM.



SINGLE EFFECT HERMETIC
ABSORPTION LIQUID
CHILLER

16JB

SIZE: 010 068
SERIES: CMX

ITM	PART DESCRIPTION	16JB021	16JB024	16JB028	16JB032
		ALL VOLTAGES	ALL VOLTAGES	ALL VOLTAGES	ALL VOLTAGES
ABSORBER VALVE ASSEMBLY					
89	SPRING	16JB0101232	->	->	16JB0321232
90	LOW LEVEL CONTROL INSTALL. KIT	16JB010015	->	->	->
NOTE: USED TO REPLACE ABSORBER VALVE WHICH IS NO LONGER AVAILABLE AND IT IS REQUIRED TO CONVERT TO LOW LEVEL CONTROL.(LLC)					
91 N	VALVE ASSEMBLY	16JB010143	->	->	->
92 N	WELL,T'STAT	16JB0101722	->	->	->
93 N	RELAY,CONTROL	HM61ZL010	->	->	->
94 N	THERMOSWITCH	(2) HH22AG108	(2) ->	(2) ->	(2) ->
95 N	THERMOWELL	(2) 16JB0101722	(2) ->	(2) ->	(2) ->
96 N	LOW LEVEL FLOAT ASY	16JA050403	->	->	->
97 N	LOW LEVEL CONDUIT COVER	HX08ZB101	->	->	->
98 N	LOW LEVEL REED SWITCH	16JA010994	->	->	->
REFRIGERANT PUMP ASSEMBLY					
99	VERY IMPORTANT:SEE SERVICE BULLETINS A9303 AND A9304	A9303 AND A9304	->	->	->
VERY IMPORTANT: BEFORE SELECTING REPLACEMENT PUMPS OR PARTS REFER TO SERVICE BULLETINS A9303 AND A9304.					
100A	REF. PUMP ASY(230/460-3-60)DESIGN #2	16JB010168	->	->	->
100B	REF. PUMP ASY(575-3-60)DESIGN #2	16JA0101554-2	->	->	->
100C	REF. PUMP ASY(600-3-60)DESIGN #2	16JA0101554-4	->	->	->
100D	REF. PUMP ASY(200/400-3-50)DESIGN #2	16JB0321564	->	->	->
101A	MOTOR (230/460-3-60)	16JB660031	->	->	->
101B	MOTOR (575-3-60)	16JA010027	->	->	->
101C	MOTOR (600-3-60)	16JA010027	->	->	->
101D	MOTOR (200/400-3-50)	16JB660032	->	->	->
102	STATOR	NLA	->	->	->
103	ROTOR	NLA	->	->	->
104	BEARING	16JB680009	->	->	->
105	BEARING	16JB680009	->	->	->
106	SPRING	KT592P010	->	->	->
107	CLIP	KT592P020	->	->	->
108A	WEAR RING,MOTOR (230/460-3-60)	KK09XC042	->	->	->
108B	WEAR RING,MOTOR (575-3-60)	KK09XD018	->	->	->
108C	WEAR RING,MOTOR (500-3-60)	KK09XC042	->	->	->
108D	WEAR RING,MOTOR (200/400-3-50)	KK09XD015	->	->	->
109A	WEAR RING,CASING (230/460-3-60)	KK09XC042	->	->	->
109B	WEAR RING,CASING (575-3-60)	KK09XC042	->	->	->
109C	WEAR RING,CASING (600-3-60)	KK09XC042	->	->	->
109D	WEAR RING,CASING (200/400-3-50)	KK09XD015	->	->	->
110	GASKET	16JA010002	->	->	->
111A	IMPELLER (230/460-3-60)	KK75XA539	->	->	->
111B	IMPELLER (575-3-60)	KK75XA539	->	->	->
111C	IMPELLER (600-3-60)	KK75XA539	->	->	->
111D	IMPELLER (200/400-3-60)	KK75XA534	->	->	->
112	LOCK WASHER,IMPELLER	KT592P021	->	->	->
113	LOCK SCREW,IMPELLER	KT592P031	->	->	->
114A	REF. PUMP ASY(230/460-3-60)DESIGN #3	16JB010168	->	->	->
114B	REF. PUMP ASY(575-3-60)DESIGN #3	16JB010168-1	->	->	->
114C	REF. PUMP ASY(600-3-60) DESIGN #3	16JB010168-3	->	->	->
114D	REF. PUMP ASY(200/400-3-50)DESIGN #3	16JB032198	->	->	->
115A	MOTOR (230/460-3-60)	16JB660031	->	->	->
115B	MOTOR (575-3-60)	16JB660033	->	->	->
115C	MOTOR (600-3-60)	16JB660033	->	->	->
115D	MOTOR (200/400-3-60)	16JB660032	->	->	->
116A	STATOR (230/460-3-60)	16JB660006	->	->	->

PARTS LIST CATALOG

PARTS LIST PAGE: 015

CATALOG NO. : RCD-3516-007 REV. A
SUPERSEDES : RCD-3516-007 REV.

NOTE: SEE "CATALOG NOTES" ON LAST PAGE FOR EXPLANATION OF SYMBOLISM.



SINGLE EFFECT HERMETIC
ABSORPTION LIQUID
CHILLER

16JB

SIZE: 010 068
SERIES: CMX

ITM	PART DESCRIPTION	16JB021	16JB024	16JB028	16JB032
		ALL VOLTAGES	ALL VOLTAGES	ALL VOLTAGES	ALL VOLTAGES
REFRIGERANT PUMP ASSEMBLY					
116B	STATOR (575-3-60)	NLA	->	->	->
116C	STATOR (600-3-60)	NLA	->	->	->
116D	STATOR (200/400-3-60)	16JB660008	->	->	->
117A	ROTOR (230/460-3-60)	16JB680004	->	->	->
117B	ROTOR (575-3-60)	16JB660034	->	->	->
117C	ROTOR (600-3-60)	16JB680004	->	->	->
117D	ROTOR (200/400-3-50)	16JB660034	->	->	->
118	BEARING	16JB680006	->	->	->
119	BEARING	16JB680006	->	->	->
120	SPRING	KT592P010	->	->	->
121A	WEAR RING,MOTOR (230/460-3-60)	KK09XD018	->	->	->
121B	WEAR RING,MOTOR (575-3-60)	KK09XD018	->	->	->
121C	WEAR RING,MOTOR (600-3-60)	KK09XD018	->	->	->
121D	WEAR RING,MOTOR (200/400-3-50)	KK09XD020	->	->	->
122A	WEAR RING,CASING (230/460-3-60)	KK09XC042	->	->	->
122B	WEAR RING,CASING (575-3-60)	KK09XC042	->	->	->
122C	WEAR RING,CASING (600-3-60)	KK09XC042	->	->	->
122D	WEAR RING,CASING (200/400-3-50)	KK09XD015	->	->	->
123	GASKET	16JA010002	->	->	->
124A	IMPELLER (230/460-3-60)	KK75XA539	->	->	->
124B	IMPELLER (575-3-60)	KK75XA539	->	->	->
124C	IMPELLER (600-3-60)	KK75XA539	->	->	->
124D	IMPELLER (200/400-3-50)	KK75XA534	->	->	->
125	LOCK WASHER,IMPELLER	KT592P021	->	->	->
126	LOCK SCREW,IMPELLER	KT592P031	->	->	->
127A	REF. PUMP ASY(230/460-3-60)DESIGN #4	16JB010118	->	->	->
127B	REF. PUMP ASY(575-3-60) DESIGN #4	16JB010118-1	->	->	->
127C	REF. PUMP ASY(600--3-60)DESIGN #4	16JB010118-6	->	->	->
127D	REF. PUMP ASY(200/400-3-50)DESIGN #4	16JB032158	->	->	->
128A	MOTOR (230/460-3-60)	16JB660031	->	->	->
128B	MOTOR (575-3-60)	16JB660033	->	->	->
128C	MOTOR (600-3-60)	16JB660033	->	->	->
128D	MOTOR (200/400-3-50)	16JB660032	->	->	->
129	BEARING	16JT680011	->	->	->
130	BEARING	16JT680011	->	->	->
131	SPRING	16JT680015	->	->	->
132A	WEAR RING,MOTOR (230/460-3-60)	KK09XD018	->	->	->
132B	WEAR RING,MOTOR (575-3-60)	KK09XD018	->	->	->
132C	WEAR RING,MOTOR (600-3-60)	KK09XD018	->	->	->
132D	WEAR RING,MOTOR (200/400-3-50)	KK09XD020	->	->	->
133A	WEAR RING,CASING (230/460-3-60)	KK09XC042	->	->	->
133B	WEAR RING,CASING (575-3-60)	KK09XC042	->	->	->
133C	WEAR RING,CASING (600-3-60)	KK09XC042	->	->	->
133D	WEAR RING,CASING (200/400-3-50)	KK09XD015	->	->	->
134	GASKET	16JT680009	->	->	->
135A	IMPELLER (230/460-3-60)	KK75XA539	->	->	->
135B	IMPELLER (575-3-60)	KK75XA539	->	->	->
135C	IMPELLER (600-3-60)	KK75XA539	->	->	->
135D	IMPELLER (200/400-3-50)	KK75XA534	->	->	->
136	LOCK WASHER,IMPELLER	KT592P021	->	->	->
137	LOCK SCREW,IMPELLER	KT592P031	->	->	->
NOTE: ALL EXPLOSION PROOF PUMPS LISTED BELOW ARE 230/460-3-60.					
138	REF. PUMP (EXPLOSION PROOF)DESIGN #2	16JA0101554-3	->	->	->
139	REF. PUMP (EXPLOSION PROOF)DESIGN #3	16JB010168-2	->	->	->

PARTS LIST CATALOG

PARTS LIST PAGE: 016

CATALOG NO. : RCD-3516-007 REV. A
SUPERSEDES : RCD-3516-007 REV.

NOTE: SEE "CATALOG NOTES" ON LAST PAGE FOR EXPLANATION OF SYMBOLISM.



SINGLE EFFECT HERMETIC
ABSORPTION LIQUID
CHILLER

16JB

SIZE: 010 068
SERIES: CMX

ITM	PART DESCRIPTION	16JB021	16JB024	16JB028	16JB032
		ALL VOLTAGES	ALL VOLTAGES	ALL VOLTAGES	ALL VOLTAGES
REFRIGERANT PUMP ASSEMBLY					
140	REF. PUMP (EXPLOSION PROOF)DESIGN #4 SOLUTION PUMP ASSEMBLY	16JB010118-2	->	->	->
141	VERY IMPORTANT!SEE SERVICE BULLETINS A9303 AND A9304 VERY IMPORTANT! BEFORE SELECTING REPLACEMENT PUMPS OR PARTS REFER TO SERVICE BULLETINS A9303 AND A9304.	A9303 AND A9304	->	->	->
142A	SOL. PUMP ASY(230/460-3-60)DESIGN #2	16JB010178	->	->	16JB032178
142B	SOL. PUMP ASY(575-3-60)DESIGN #2	16JA0101564-2	->	->	16JA032174-2
142C	SOL. PUMP ASY(600-3-60)DESIGN #2	16JA0101564-4	->	->	16JA032174-4
142D	SOL. PUMP ASY(200/400-3-50)DESIGN #2	16JB0101564	16JB0321564	->	->
143A	MOTOR (230/460-3-60)	16JB660031	->	->	16JB660032
143B	MOTOR (575-3-60)	16JA010027	->	->	16JA032004
143C	MOTOR (600-3-60)	16JA010027	->	->	16JA032010
143D	MOTOR (200/400-3-50)	16JB660031	16JB660032	->	->
144	STATOR	NLA	->	->	->
145	ROTOR	NLA	->	->	16JA032-003
146	BEARING	16JB680009	->	->	->
147	BEARING	16JB680009	->	->	->
148	SPRING	KT592P010	->	->	->
149	CLIP	KT592P020	->	->	->
150A	WEAR RING,MOTOR (230/460-3-60)	KK09XC042	->	->	KK09XD015
150B	WEAR RING,MOTOR (575-3-60)	KK09XC042	->	->	KK09XD015
150C	WEAR RING,MOTOR (600-3-60)	KK09XC042	->	->	KK09XD015
150D	WEAR RING,MOTOR (200/400-3-50)	KK09XC042	KK09XD015	->	->
151A	WEAR RING,CASING (230/460-3-60)	KK09XC042	->	->	KK09XD015
151B	WEAR RING,CASING (575-3-60)	KK09XC042	->	->	KK09XD015
151C	WEAR RING,CASING (600-3-60)	KK09XC042	->	->	KK09XD015
151D	WEAR RING,CASING (200/400-3-50)	KK09XC042	KK09XD015	->	->
152	GASKET	16JA010002	->	->	->
153A	IMPELLER (230/460-3-60)	KK75XA540	->	->	KK75XA533
153B	IMPELLER (575-3-60)	KK75XA540	->	->	KK75XA533
153C	IMPELLER (600-3-60)	KK75XA540	->	->	->
153D	IMPELLER (200/400-3-50)	KK75XA541	KK75XA534	->	->
154	LOCK WASHER,IMPELLER	KT592P021	->	->	->
155	LOCK SCREW,IMPELLER	KT592P031	->	->	->
156A	SOL. PUMP ASY(230/460-3-60)DESIGN #3	16JB010178	->	->	16JB032178
156B	SOL. PUMP ASY(575-3-60)DESIGN #3	16JB010178-1	->	->	16JB032178-1
156C	SOL. PUMP ASY(600-3-60)DESIGN #3	16JB010178-3	->	->	16JB032178-3
156D	SOL. PUMP ASY(200/400-3-50)DESIGN #3	16JB010198	16JB032198	->	->
157A	MOTOR (230/460-3-60)	16JB660031	->	->	16JB660032
157B	MOTOR (575-3-60)	16JB660033	->	->	16JB660034
157C	MOTOR (600-3-60)	16JB660033	->	->	16JB660034
157D	MOTOR (200/400-3-50)	16JB660031	16JB660032	->	->
158A	STATOR (230/460-3-60)	16JB660006	->	->	16JB680008
158B	STATOR (575-3-60)	NLA	->	->	16JB660009
158C	STATOR (600-3-60)	NLA	->	->	16JB660034
158D	STATOR (200/400-3-50)	16JB660006	16JB660008	->	->
159A	ROTOR (230/460-3-60)	16JB680004	->	->	16JB680005
159B	ROTOR (575-3-60)	16JB680004	->	->	16JB680005
159C	ROTOR (600-3-60)	16JB680004	->	->	16JB680005
159D	ROTOR (200/400-3-50)	16JB680004	16JB680005	->	->
160	BEARING	16JB680006	->	->	->
161	BEARING	16JB680006	->	->	->
162	SPRING	KT592P010	->	->	->
163A	WEAR RING,MOTOR (230/460-3-60)	KK09XD018	->	->	KK09XD020

PARTS LIST CATALOG

PARTS LIST PAGE: 017

CATALOG NO.: RCD-3516-007 REV. A
SUPERSEDES : RCD-3516-007 REV.

NOTE: SEE "CATALOG NOTES" ON LAST PAGE FOR EXPLANATION OF SYMBOLISM.



SINGLE EFFECT HERMETIC
ABSORPTION LIQUID
CHILLER

16JB

SIZE: 010 068
SERIES: CMX

ITM	PART DESCRIPTION	16JB021	16JB024	16JB028	16JB032
		ALL VOLTAGES	ALL VOLTAGES	ALL VOLTAGES	ALL VOLTAGES
SOLUTION PUMP ASSEMBLY					
163B	WEAR RING,MOTOR (575-3-60)	KK09XD018	->	->	KK09XD020
163C	WEAR RING,MOTOR (600-3-60)	KK09XD018	->	->	KK09XD020
163D	WEAR RING,MOTOR (200/400-3-50)	KK09XD018	KK09XD020	->	->
164A	WEAR RING,CASING (230/460-3-60)	KK09XC042	->	->	KK09XD015
164B	WEAR RING,CASING (575-3-60)	KK09XC042	->	->	KK09XD015
164C	WEAR RING,CASING (600-3-60)	KK09XC042	->	->	KK09XD015
164D	WEAR RING,CASING (200/400-3-50)	KK09XC042	KK09XD015	->	->
165	GASKET	16JA01002	->	->	->
166A	IMPELLER (230/460-3-60)	KK75XA540	->	->	KK75XA533
166B	IMPELLER (575-3-60)	KK75XA540	->	->	KK75XA533
166C	IMPELLER (600-3-60)	KK75XA540	->	->	->
166D	IMPELLER (200/400-3-50)	KK75XA541	KK75XA534	->	->
167	LOCK WASHER,IMPELLER	KT592P021	->	->	->
168	LOCK SCREW,IMPELLER	KT592P031	->	->	->
169A	SOL. PUMP ASY(230/460-3-60)DESIGN #4	16JB010148	->	->	16JB032148
169B	SOL. PUMP ASY(575-3-60)DESIGN #4	16JB010148-1	->	->	16JB032148-1
169C	SOL. PUMP ASY(600-3-60)DESIGN #4	16JB010148-6	->	->	16JB032148-6
169D	SOL. PUMP ASY(200/400-3-50)DESIGN #4	16JB010158	16JB032158	->	->
170A	MOTOR (230/460-3-60)	16JB660031	->	->	16JB660032
170B	MOTOR (575-3-60)	16JB660033	->	->	16JB660034
170C	MOTOR (600-3-60)	16JB660033	->	->	16JB660034
170D	MOTOR (200/400-3-50)	16JB660031	16JB660032	->	->
171	BEARING	16JT680011	->	->	->
172	BEARING	16JT680011	->	->	->
173	SPRING	16JT680015	->	->	->
174A	WEAR RING,MOTOR (230/460-3-60)	KK09XD018	->	->	KK09XD020
174B	WEAR RING,MOTOR (575-3-60)	KK09XD018	->	->	KK09XD020
174C	WEAR RING,MOTOR (600-3-60)	KK09XD018	->	->	KK09XD020
174D	WEAR RING,MOTOR (200/400-3-50)	KK09XD018	KK09XD020	->	->
175A	WEAR RING,CASING (230/460-3-60)	KK09XC042	->	->	KK09XD015
175B	WEAR RING,CASING (575-3-60)	KK09XC042	->	->	KK09XD015
175C	WEAR RING,CASING (600-3-60)	KK09XC042	->	->	KK09XD015
175D	WEAR RING,CASING (200/400-3-50)	KK09XC042	KK09XD015	->	->
176	GASKET	16JT680009	->	->	->
177A	IMPELLER (230/460-3-60)	KK75XA540	->	->	KK75XA533
177B	IMPELLER (575-3-60)	KK75XA540	->	->	KK75XA533
177C	IMPELLER (600-3-60)	KK75XA540	->	->	KK75XA533
177D	IMPELLER (200/400-3-50)	KK75XA541	KK75XA534	->	->
178	LOCK WASHER,IMPELLER	KT592P021	->	->	->
179	LOCK SCREW,IMPELLER	KT592P031	->	->	->
NOTE: ALL EXPLOSION PROOF PUMPS LISTED BELOW ARE 230/460-3-60.					
180	SOL. PUMP (EXPLOSION PROOF)DESIGN #2	16JA0101564-3	->	->	16JA032174-3
181	SOL. PUMP (EXPLOSION PROOF)DESIGN #3	16JB010178-2	->	->	16JB032178-2
182	SOL. PUMP (EXPLOSION PROOF)DESIGN #4	16JB010148-2	->	->	16JB032148-2
ELECTRONIC STEAM VALVE					
183A	ELEC. STEAM VALVE ASY(CAGED 2-1/2)	16JB010328	->	->	->
183B	ELEC. STEAM VALVE ASY(CAGED 3A)	16JB010338	->	->	->
183C	ELEC. STEAM VALVE ASY(CAGED 3B)	16JB010348	->	->	->
183D	ELEC. STEAM VALVE ASY(CAGED 4A)	16JB010358	->	->	->
183E	ELEC. STEAM VALVE ASY(CAGED 4B)	16JB010368	->	->	->
184	MOTOR (HONEYWELL)	SEE BULLETIN #A9308	->	->	->
185	LINKAGE (HONEYWELL)	EF09B2017	->	->	->
186	AUXILIARY SWITCH (HONEYWELL)	EF09Z8350	->	->	->
187A	O-RING,CAGE (2-1/2A) (HONEYWELL)	(2) KK71EL149	(2) ->	(2) ->	(2) ->

PARTS LIST CATALOG

PARTS LIST PAGE: 018

CATALOG NO.: RCD-3516-007 REV. A
SUPERSEDES : RCD-3516-007 REV.

NOTE: SEE "CATALOG NOTES" ON LAST PAGE FOR EXPLANATION OF SYMBOLISM.



SINGLE EFFECT HERMETIC
ABSORPTION LIQUID
CHILLER

16JB

SIZE: 010 068
SERIES: CMX

ITM	PART DESCRIPTION	16JB021		16JB024		16JB028		16JB032	
		ALL VOLTAGES		ALL VOLTAGES		ALL VOLTAGES		ALL VOLTAGES	
ELECTRONIC STEAM VALVE									
187B	O-RING,CAGE (3A & 3B) (HONEYWELL)	(2)	KK71EL152	(2)	->	(2)	->	(2)	->
187C	O-RING,CAGE (4A & 4B) (HONEYWELL)	(2)	KK71EL156	(2)	->	(2)	->	(2)	->
188A	GASKET,BONNET (2-1/2A) (HONEYWELL)		EF692B542		->		->		->
188B	GASKET,BONNET (3A & 3B) (HONEYWELL)		EF692B602		->		->		->
188C	GASKET,BONNET (4A & 4B) (HONEYWELL)		EF692B712		->		->		->
189A	CAGE (2-1/2A) (HONEYWELL)		EF692B544		->		->		->
189B	CAGE (3A) (HONEYWELL)		EF692B604		->		->		->
189C	CAGE (3B) (HONEYWELL)		EF692B605		->		->		->
189D	CAGE (4A) (HONEYWELL)		EF692B714		->		->		->
189E	CAGE (4B) (HONEYWELL)		EF692B715		->		->		->
190A	O-RING,PLUG (2-1/2A) (HONEYWELL)		KK71EL230		->		->		->
190B	O-RING,PLUG (3A & 3B) (HONEYWELL)		KK71EL234		->		->		->
190C	O-RING,PLUG (4A & 4B) (HONEYWELL)		KK71EL242		->		->		->
191A	PLUG & STEM (2-1/2A) (HONEYWELL)		EF692B541		->		->		->
191B	PLUG & STEM (3A & 3B) (HONEYWELL)		EF692B601		->		->		->
191C	PLUG & STEM (4A & 4B) (HONEYWELL)		EF692B711		->		->		->
192	PACKING (HONEYWELL)		EF692B543		->		->		->
193A	ELECTRONIC CONTROLS KIT (60HZ) (B-C)		16JB660027		->		->		->
193B	ELECTRONIC CONTROLS KIT (50HZ) (B-C)		16JB660028		->		->		->
	KIT USED TO CONVERT FROM HONEYWELL TO BARBER-COLMAN CAPACITY CONTROL.								
194A	MOTOR,ACTUATOR (60HZ)		16JB680050		->		->		->
194B	MOTOR,ACTUATOR (50HZ)		16JB680051		->		->		->
195	SENSOR,CHILLED WATER		16JB680052		->		->		->
196	CONTROLLER,TEMPERATURE		16JB680053		->		->		->
197	ADJUSTER,TEMP. SET POINT		16JB680054		->		->		->
198A	ELEC. STEAM VALVE ASY (CAGED 5A)		16JB010378		->		->		->
198B	ELEC. STEAM VALVE ASY (CAGED 5B)		16JB010388		->		->		->
198C	ELEC. STEAM VALVE ASY (CAGED 6A)		16JB010408		->		->		->
199	MOTOR (HONEYWELL)		SEE BULLETIN #A9308		->		->		->
200	LINKAGE (HONEYWELL)		EF09B2017		->		->		->
201	AUXILIARY SWITCH (HONEYWELL)		NSS		->		->		->
202	O-RING,CAGE		NSS		->		->		->
203A	GASKET,BONNET (5A & 5B) (HONEYWELL)		EF692B752		->		->		->
203B	GASKET,BONNET (6A) (HONEYWELL)		EF692B791		->		->		->
204	CAGE (HONEYWELL)		EF692B754		->		->		->
205	O-RING,PLUG (HONEYWELL)		NSS		->		->		->
206	PLUG & STEM (HONEYWELL)		EF692B751		->		->		->
207	PACKING (HONEYWELL)		EF692B543		->		->		->
208A	ELECTRONIC CONTROLS KIT (60HZ)		16JB660027		->		->		->
208B	ELECTRONIC CONTROLS KIT (50HZ)		16JB660028		->		->		->
	KIT USED TO CONVERT FROM HONEYWELL TO BARBER-COLMAN CAPACITY CONTROL.								
209A	MOTOR,ACTUATOR (60HZ)		16JB680050		->		->		->
209B	MOTOR,ACTUATOR (50HZ)		16JB680051		->		->		->
210	SENSOR,CHILLED WATER		16JB680052		->		->		->
211	CONTROLLER,TEMPERATURE		16JB680053		->		->		->
212	ADJUSTER,TEMP. SET POINT		16JB680054		->		->		->
213A	ELEC. BUTTERFLY STEAM VALVE (2C)		16JB010221 NLA		->		->		->
213B	ELEC. BUTTERFLY STEAM VALVE (2-1/2C)		16JB012221 NLA		->		->		->
213C	ELEC. BUTTERFLY STEAM VALVE (3C)		16JB014221 NLA		->		->		->
213D	ELEC. BUTTERFLY STEAM VALVE (4C)		16JB018221 NLA		->		->		->
213E	ELEC. BUTTERFLY STEAM VALVE (5C)		16JB010398		->		->		->
214	MOTOR (HONEYWELL)		SEE BULLETIN #A9308		->		->		->
215	SWITCH (HONEYWELL)		EF09B350		->		->		->
216A	VALVE (2C) (HONEYWELL)		16JB0102232		->		->		->

PARTS LIST CATALOG

PARTS LIST PAGE: 019

CATALOG NO. : RCD-3516-007 REV. A
SUPERSEDES : RCD-3516-007 REV.

NOTE: SEE "CATALOG NOTES" ON LAST PAGE FOR EXPLANATION OF SYMBOLISM.



SINGLE EFFECT HERMETIC
ABSORPTION LIQUID
CHILLER

16JB

SIZE: 010 068
SERIES: CMX

ITM	PART DESCRIPTION	16JB021	16JB024	16JB028	16JB032
		ALL VOLTAGES	ALL VOLTAGES	ALL VOLTAGES	ALL VOLTAGES
ELECTRONIC STEAM VALVE					
216B	VALVE (2-1/2C) (HONEYWELL)	16JB0102242	->	->	->
216C	VALVE (3C) (HONEYWELL)	16JB0102252	->	->	->
216D	VALVE (4C) (HONEYWELL)	16JB0102262	->	->	->
216E	VALVE (5C) (HONEYWELL)	16JB0102272	->	->	->
217A	TAPER PINS (2C,2-1/2C & 3C) (HON	(2) 16JB010002	(2) ->	(2) ->	(2) ->
217B	TAPER PINS (4C) (HONEYWELL)	(2) 16JB010008	(2) ->	(2) ->	(2) ->
217C	TAPER PINS (5C) (HONEYWELL)	(2) 16JB010007	(2) ->	(2) ->	(2) ->
218	LINK (HONEYWELL)	16JB010005	->	->	->
219	KEY (4C & 5C) (HONEYWELL)	16JB010006	->	->	->
220A	PACKING SET (2C,2-1/2C,3C) (HONEYM	16JB010013	->	->	->
220B	PACKING SET (4C & 5C) (HONEYWELL)	16JB010014	->	->	->
221A	V-RINGS (2C,2-1/2C,3C) (HONEYWEL	(8) 16JB010013	(8) ->	(8) ->	(8) ->
221B	V-RINGS (4C & 5C) (HONEYWELL)	(8) 16JB010014	(8) ->	(8) ->	(8) ->
222A	MALE ADAPTERS (2C,2-1/2C,3C)(HON	(2) 16JB680059	(2) ->	(2) ->	(2) ->
222B	MALE ADAPTERS (4C & 5C) (HONEYWE	(2) 16JB010009	(2) ->	(2) ->	(2) ->
223A	ELECTRONIC CONTROLS KIT (60HZ)	16JB660027	->	->	->
223B	ELECTRONIC CONTROLS KIT (50HZ)	16JB660028	->	->	->
KIT USED TO CONVERT FROM HONEYWELL TO BARBER-COLMAN CAPACITY CONTROL.					
224A	MOTOR,ACTUATOR (60HZ)	16JB680050	->	->	->
224B	MOTOR,ACTUATOR (50HZ)	16JB680051	->	->	->
225	SENSOR,CHILLED WATER	16JB680052	->	->	->
226	CONTROLLER,TEMPERATURE	16JB680053	->	->	->
227	ADJUSTER,TEMP. SET POINT	16JB680054	->	->	->
PNEUMATIC STEAM VALVE					
228A	PNEU. CAGED STEAM VALVE (2-1/2A)	EF61MB012	->	->	->
228B	PNEU. CAGED STEAM VALVE (3A)	EF61MB013	->	->	->
228C	PNEU. CAGED STEAM VALVE (3B)	EF61JB013	->	->	->
228D	PNEU. CAGED STEAM VALVE (4A)	EF61MB014	->	->	->
228E	PNEU. CAGED STEAM VALVE (4B)	EF61JB014	->	->	->
229	ACTUATOR	EF692B015	->	->	->
230	DIAPHRAGM	16JA010022	->	->	->
231	PILOT POSITIONER	EF692B025	->	->	->
232	SPRING,PILOT POSITIONER	16HA005022	->	->	->
233A	O-RING,CAGE (2-1/2A)	(2) KK71EL149	(2) ->	(2) ->	(2) ->
233B	O-RING,CAGE (3A & 3B)	(2) KK71EL152	(2) ->	(2) ->	(2) ->
233C	O-RING,CAGE (4A & 4B)	(2) KK71EL156	(2) ->	(2) ->	(2) ->
234A	GASKET,BONNET (2-1/2A)	EF692B542	->	->	->
234B	GASKET,BONNET (3A & 3B)	EF692B602	->	->	->
234C	GASKET,BONNET (4A & 4B)	EF692B712	->	->	->
235A	CAGE (2-1/2A)	EF692B544	->	->	->
235B	CAGE (3A)	EF692B604	->	->	->
235C	CAGE (3B)	EF692B605	->	->	->
235D	CAGE (4A)	EF692B714	->	->	->
235E	CAGE (4B)	EF692B715	->	->	->
236A	O-RING,PLUG (2-1/2A)	KK71EL230	->	->	->
236B	O-RING,PLUG (3A & 3B)	KK71EL234	->	->	->
236C	O-RING,PLUG (4A & 4B)	KK71EL242	->	->	->
237A	PLUG & STEM (2-1/2A)	EF692B541	->	->	->
237B	PLUG & STEM (3A & 3B)	EF692B601	->	->	->
237C	PLUG & STEM (4A & 4B)	EF692B711	->	->	->
238	PACKING	EF692B543	->	->	->
239A	PNEU. BUTTERFLY STEAM VALVE (2C)	16JB010201	->	->	->
239B	PNEU. BUTTERFLY STEAM VALVE (2-1/2C)	16JB012201	->	->	->
239C	PNEU. BUTTERFLY STEAM VALVE (3C)	16JB014201	->	->	->

PARTS LIST CATALOG

PARTS LIST PAGE: 020

CATALOG NO.: RCD-3516-007 REV. A
SUPERSEDES : RCD-3516-007 REV.

NOTE: SEE "CATALOG NOTES" ON LAST PAGE FOR EXPLANATION OF SYMBOLISM.



SINGLE EFFECT HERMETIC
ABSORPTION LIQUID
CHILLER

16JB

SIZE: 010 068
SERIES: CMX

ITM	PART DESCRIPTION	16JB021		16JB024		16JB028		16JB032	
		ALL VOLTAGES		ALL VOLTAGES		ALL VOLTAGES		ALL VOLTAGES	
PNEUMATIC STEAM VALVE									
239D	PNEU. BUTTERFLY STEAM VALVE (4C)		16JB018201		->		->		->
239E	PNEU. BUTTERFLY STEAM VALVE (5C)		16JB010294		->		->		->
240	ACTUATOR		16JB0102312		->		->		->
241	DIAPHRAGM		16JB010012		->		->		->
242A	VALVE (2C)		16JB0102182		->		->		->
242B	VALVE (2-1/2C)		16JB0102192		->		->		->
242C	VALVE (3C)		16JB0102202		->		->		->
242D	VALVE (4C)		16JB0102212		->		->		->
242E	VALVE (5C)		16JB0102222		->		->		->
243A	TAPER PINS (2C, 2-1/2C, 3C)	(2)	16JB010002	(2)	->	(2)	->	(2)	->
243B	TAPER PINS (4C)	(2)	16JB010008	(2)	->	(2)	->	(2)	->
243C	TAPER PINS (5C)	(2)	16JB010007	(2)	->	(2)	->	(2)	->
244	LINK		16JB010005		->		->		->
245	KEY (4C & 5C)		16JB010006		->		->		->
246A	PACKING SET (2C, 2-1/2C, 3C)		16JB010013		->		->		->
246B	PACKING SET (4C & 5C)		16JB010014		->		->		->
247A	"V" RINGS (2C, 2-1/2C, 3C)		16JB010013		->		->		->
247B	"V" RINGS (4C & 5C)	(8)	16JB010014	(8)	->	(8)	->	(8)	->
248A	MALE ADAPTERS (2C, 2-1/2C, 3C)	(2)	16JB680059	(2)	->	(2)	->	(2)	->
248B	MALE ADAPTERS (4C & 5C)	(2)	16JB010009	(2)	->	(2)	->	(2)	->
MECHANICAL CONTROLS GROUP									
249A	CONV. KIT, FROM PNEU. TO ELEC. (60HZ)		16JB660027		->		->		->
249B	CONV. KIT, FROM PNEU. TO ELEC. (50HZ)		16JB660028		->		->		->
250	REED SWITCH (5") (PURGE SEP. CHAMBER)		16JB010302		->		->		->
251	REED SWITCH (7-1/2") (PURGE STORAGE)		16JB010342		->		->		->
252	REED SWITCH (16-1/8") (DILUTION LEVEL)		16JA010794-1		->		->		->
253	REED SWITCH (10-1/8") (LOW LEVEL)		16JA010994		->		->		->
254A	TRANSFORMER (190/208/230/380/460V)		16JA010222		->		->		->
254B	TRANSFORMER (600V)		N/A		->		->		->
256	SWITCH (SPST)	(3)	HR532A035	(3)	->	(3)	->	(3)	->
257	TOGGLE SWITCH (SPDT)		HR53VR026		->		->		->
258	SWITCH (SPDT)		HR54Z2001		->		->		->
259	DOOR LOCK (CORBIN-15760XC45)		PROCURE LOCALLY		->		->		->
260	DISCONNECT SWITCH		HR61EZ010		->		->		->
261	TEMP CONTROLLER-LTCD (20" ELEMENT)		HH22AG106		->		->		->
262	RESET, PUSH BUTTON	(2)	HR75AZ020	(2)	->	(2)	->	(2)	->
263	LIGHT, YELLOW		HY19AZ004		->		->		->
264	LIGHT, RED		HY19AZ002		->		->		->
265	RELAY	(4)	HN61KL031	(4)	->	(4)	->	(4)	->
266A	INDICATOR, ELAPSED TIME (60 HZ)		19EA660035		->		->		->
266B	INDICATOR, ELAPSED TIME (50 HZ)		HK28TA116		->		->		->
268	TEMPERATURE CONTROLLER	(2)	HH22AG108	(2)	->	(2)	->	(2)	->
269	FUSE HOLDER		HKP-HH		->		->		->
270	FUSE (BUSSMAN-GLH-10A)		X		X		X		X
271	TEMPERATURE SENSOR (ELEC. ONLY)		HH19AZ031		->		->		->
272	CONTROL POINT ADJUSTER (ELEC. ONLY)		HT24AZ115		->		->		->
273	TEMPERATURE CONTROLLER (PNEU. ONLY)		16JB680056		->		->		->
274	PRESSURE GAUGE (PNEU. ONLY)		PROCURE LOCALLY		->		->		->
275	SWITCH (ELECTRONIC CONTROLLED PNEU.)		HL73DC009		->		->		->
276	RESET SWITCH (CUTLER HAMMER-7583K8)		PROCURE LOCALLY		->		->		->
277	TUBING (IMPERIAL EASTMAN-64P)		PROCURE LOCALLY		->		->		->
278	CONNECTOR (FOR IT # 290)	(7)	DC05CA053	(7)	->	(7)	->	(7)	->
279	TEMPERATURE SENSOR		HL15ME110		->		->		->
280	SEPARABLE WELL (FOR ITEM # 278)		HL79MZ100		->		->		->

PARTS LIST CATALOG

PARTS LIST PAGE: 021

CATALOG NO.: RCD-3516-007 REV. A
SUPERSEDES : RCD-3516-007 REV.

NOTE: SEE "CATALOG NOTES" ON LAST PAGE FOR EXPLANATION OF SYMBOLISM.



SINGLE EFFECT HERMETIC
ABSORPTION LIQUID
CHILLER

16JB

SIZE: 010 068
SERIES: CMX

ITM	PART DESCRIPTION	16JB021	16JB024	16JB028	16JB032
		ALL VOLTAGES	ALL VOLTAGES	ALL VOLTAGES	ALL VOLTAGES
MECHANICAL CONTROLS GROUP					
281	SWITCH (10-SIDE,PRESS. ACTUATED)	HK02AC015	->	->	->
282	STARTER (30 AMP)	(2) HN03LC510	(2) ->	(2) ->	(2) ->
283 N	CONTACT KIT	(6) HN79LZ120	(6) ->	(6) ->	(6) ->
284 N	OVERLOAD RELAY	(2) HN68JX003	(2) ->	(2) ->	(2) ->
285 N	COIL	(2) HN72LZ251	(2) ->	(2) ->	(2) ->
286	CONTACTOR (25 AMP)(A.O.SMITH)	(2) HN53CB115A	(2) ->	(2) ->	(2) ->
287 N	CONTACT KIT	(6) HN79CZ030	(6) ->	(6) ->	(6) ->
288 N	OVERLOAD RELAY	(2) HN68JX003	(2) ->	(2) ->	(2) ->
289 N	COIL	(2) HN72CZ101	(2) ->	(2) ->	(2) ->
290	CONTACTOR (25 AMP)(GENERAL ELECTRIC)	(2) HN53CB115B	(2) ->	(2) ->	(2) ->
291 N	CONTACT KIT	(2) HN79HZ206	(2) ->	(2) ->	(2) ->
292 N	OVERLOAD RELAY	(2) HN68JX003	(2) ->	(2) ->	(2) ->
293 N	COIL	(2) HN72HZ224	(2) ->	(2) ->	(2) ->
294	CONTACTOR (25 AMP)(ARROW HART/HEGEMA)	(2) HN53CB115C	(2) ->	(2) ->	(2) ->
295 N	CONTACT KIT	(6) HN79LZ122	(6) ->	(6) ->	(6) ->
296 N	OVERLOAD RELAY	(2) HN68JX003	(2) ->	(2) ->	(2) ->
297 N	COIL	(2) NOT STOCKED	(2) ->	(2) ->	(2) ->
298	CONTACTOR (25 AMP)(CUTLER HAMMER)	(2) HN53CB115D	(2) ->	(2) ->	(2) ->
299 N	CONTACT KIT	(6) HN79AZ003	(6) ->	(6) ->	(6) ->
300 N	OVERLOAD RELAY	(2) HN68JX003	(2) ->	(2) ->	(2) ->
301 N	COIL	(2) HN53CB115	(2) ->	(2) ->	(2) ->
302	CONTACTOR (40 AMP)(A.O.SMITH)	(2) HN53CD115A	(2) ->	(2) ->	(2) ->
303 N	CONTACT KIT	(6) HN79CZ040	(6) ->	(6) ->	(6) ->
304 N	OVERLOAD RELAY	(2) HN68JX003	(2) ->	(2) ->	(2) ->
305 N	COIL	(2) HN72CZ101	(2) ->	(2) ->	(2) ->
306	CONTACTOR (40 AMP)(GENERAL ELECTRIC)	(2) HN53CD115B	(2) ->	(2) ->	(2) ->
307 N	CONTACT KIT	(2) HN79HZ209	(2) ->	(2) ->	(2) ->
308 N	OVERLOAD RELAY	(2) HN68JX003	(2) ->	(2) ->	(2) ->
309 N	COIL	(2) HN72HZ224	(2) ->	(2) ->	(2) ->
310	CONTACTOR (40 AMP)(CUTLER HAMMER)	(2) HN53CD115D	(2) ->	(2) ->	(2) ->
311 N	CONTACT KIT	(6) HN79AZ004	(6) ->	(6) ->	(6) ->
312 N	OVERLOAD RELAY	(2) HN68JX003	(2) ->	(2) ->	(2) ->
313 N	COIL	(2) HN72AZ341	(2) ->	(2) ->	(2) ->
PIC CONTROLS GROUP					
314	THERMISTOR (5K)	(11) HH79NZ047	(11) ->	(11) ->	(11) ->
315	THERMISTOR (100K)	(2) HH79NZ070	(2) ->	(2) ->	(2) ->
316	TRANSDUCER,LOW PRESSURE	HK05YZ002	->	->	->
317	FLOAT SWITCH (ANALOG)	16JT810788	->	->	->
318	FLOAT SWITCH (REED SWITCH)	16JT8571090	->	->	->
319	TEMPERATURE SWITCH,HIGH	11B06-46	->	->	->
320	TEMPERATURE SWITCH,LOW	TNSC114Y	->	->	->
321	SENSOR CABLE,THERMISTOR	HH79NZ072	->	->	->
322	SENSOR CABLE,TRANSDUCER	16JT810798	->	->	->
323A	CONTROL PANEL,PIC (208-240/3/60)	16JB010758	->	->	->
323B	CONTROL PANEL,PIC (416-480/3/60)	16JB010768	->	->	->
323C	CONTROL PANEL,PIC (550-600/3/60)	16JB010778	->	->	->
323D	CONTROL PANEL,PIC (380/3/50)	16JB010788	->	->	->
324	FUSED DISCON. (FDC)(TELEMECANIQUE)	D1053	->	->	->
325A	FUSE (208-240V) (FDC)	(3) FRSR-40	(3) ->	(3) ->	(3) FRSR-50
325B	FUSE (416-480V) (FDC)	(3) FRS-R20	(3) ->	(3) ->	(3) FRS-R25
325C	FUSE (550-600V) (FDC)	(3) FRS-R15	(3) ->	(3) ->	(3) FRS-R20
325D	FUSE (380V-50HZ) (FDC)	(3) FRS-R25	(3) FRS-R30	(3) ->	(3) ->
326	HANDLE,NEMA 12 (TELEMECANIQUE)	D115F4	->	->	->
327	COOLING FAN KIT (DAYTON)	4C550/4C551/5C032	->	->	->

PARTS LIST CATALOG

PARTS LIST PAGE: 022

CATALOG NO.: RCD-3516-007 REV. A
SUPERSEDES : RCD-3516-007 REV.

NOTE: SEE "CATALOG NOTES" ON LAST PAGE FOR EXPLANATION OF SYMBOLISM.



SINGLE EFFECT HERMETIC
ABSORPTION LIQUID
CHILLER

16JB

SIZE: 010 068
SERIES: CMX

ITM	PART DESCRIPTION	16JB021	16JB024	16JB028	16JB032
		ALL VOLTAGES	ALL VOLTAGES	ALL VOLTAGES	ALL VOLTAGES
PIC CONTROLS GROUP					
328	LID LB,BACKLIT (UTEC)	CEPL130230-01	->	->	->
329	DOOR LATCH,3-POINT (EMKA INC.)	1125-U206-01G	->	->	->
330	INDICATOR LIGHT,RED	16JB0101115	->	->	->
331	INDICATOR LIGHT,WHITE	(2) 16JT8121108	(2) ->	(2) ->	(2) ->
332	INDICATOR LIGHT,GREEN	(2) 16JT8101108	(2) ->	(2) ->	(2) ->
333	SELECTOR SWITCH (AUTO/MANUAL)	16JT8101106	->	->	->
334	TRANSFORMER (TR7)	16JT8101101	->	->	->
335	TRANSFORMER (TR1,TR2)	(2) HT018D113	(2) ->	(2) ->	(2) ->
336	TRANSFORMER (TR5)	HT01A235	->	->	->
337	TRANSFORMER (TR4)	HK35AA002	->	->	->
338	TERM.BLOCKS(TB2,TB3)(ALLEN-BRADLEY)	(175) 1492-W4	(175) ->	(175) ->	(175) ->
339	TERM.BLOCKS(TB1)(ALLEN-BRADLEY)	(54) 1492-W6	(54) ->	(54) ->	(54) ->
340	MODULE,PIC (PC6400)	16JB010698	->	->	->
341	MODULE,PSIO (SLAVE)	CEPL110189-02	->	->	->
342	MODULE,8 INPUT/OUTPUT	(2) CEPL120773-01	(2) ->	(2) ->	(2) ->
343	CONNECTOR (18-PIN)	(3) HY84EE021	(3) ->	(3) ->	(3) ->
344	CONNECTOR (3-PIN)	HY84EE003	->	->	->
345	CONNECTOR (4-PIN)	HY84EE004	->	->	->
346	RELAY BOARD (6-PACK) (RB1,RB2)	(2) HK35AA001	(2) ->	(2) ->	(2) ->
347	RELAY,2 POLE (CR1-CR9)	(9) 16JT8101102	(9) ->	(9) ->	(9) ->
348	FUSE BLOCK (FB6) (MARATHON)	F30A15P	->	->	->
349A	FUSE (208-240V) (FB6)	HY10NJ005	->	->	->
349B	FUSE (416-480V) (FB6)	HY10NJ005	->	->	->
349C	FUSE (550-600V) (FB6)	HY10NJ005	->	->	->
349D	FUSE (380V 50HZ) (FB6)	HY10NJ005	->	->	->
350	TERM. BLOCK (TERM) (MARATHON)	208	->	->	->
351	STARTER BLOCK (RP1,RP2)	(2) 16JT8101103	(2) ->	(2) ->	(2) ->
352	FUSE BLOCK (F1,F2)	(2) 16JT8101104	(2) ->	(2) ->	(2) ->
353A	FUSE (208-240V) (F1)	(3) FRS-R20	(3) ->	(3) ->	(3) FRSR-35
353B	FUSE (416-480V) (F1)	(3) FRS-R10	(3) ->	(3) ->	(3) FRS-R20
353C	FUSE (550-600V) (F1)	(3) FRS-R10	(3) ->	(3) ->	(3) FRS-R15
353D	FUSE (380V 50HZ) (F1)	(3) FRS-R10	(3) FRS-R20	(3) ->	(3) ->
354A	FUSE (208-240V) (F2)	(3) FRS-R20	(3) ->	(3) ->	(3) ->
354B	FUSE (416-480V) (F2)	(3) FRS-R10	(3) ->	(3) ->	(3) ->
354C	FUSE (550-600V) (F2)	(3) FRS-R10	(3) ->	(3) ->	(3) ->
354D	FUSE (380V 50HZ) (F2)	(3) FRS-R20	(3) ->	(3) ->	(3) ->
355	OVERLOADS (OL1,OL2) (FURNAS)	(2) 48DC38AA4	(2) ->	(2) ->	(2) ->
356A	HEATER,OVERLOAD (208-240V) (SP)	(3) HN71JC054	(3) ->	(3) ->	(3) HN71JC061
356B	HEATER,OVERLOAD (416-480V) (SP)	(3) HN71JC041	(3) ->	(3) ->	(3) HN71JC050
356C	HEATER,OVERLOAD (550-600V) (SP)	(3) HN71JC037	(3) ->	(3) ->	(3) HN71JC043
356D	HEATER,OVERLOAD (380V 50HZ) (SP)	(3) HN71JC041	(3) HN71JC052	(3) ->	(3) ->
357A	HEATER,OVERLOAD (208-240V) (RP)	(3) HN71JC054	(3) ->	(3) ->	(3) ->
357B	HEATER,OVERLOAD (416-480V) (RP)	(3) HN71JC041	(3) ->	(3) ->	(3) ->
357C	HEATER,OVERLOAD (550-600V) (RP)	(3) HN71JC031	(3) ->	(3) ->	(3) ->
357D	HEATER,OVERLOAD (380V 50HZ) (RP)	(3) HN71JC041	(3) ->	(3) ->	(3) ->
358	CONNECTOR (9-POS.) (AMP)	(2) 350763-4	(2) ->	(2) ->	(2) ->
359	CONNECTOR (6-POS.) (AMP)	(2) 350762-4	(2) ->	(2) ->	(2) ->
360	CIRCUIT BREAKER	(3) HH832B001	(3) ->	(3) ->	(3) ->
MISCELLANEOUS GROUP					
361	BOLT PACKAGE,PUMP (ADDING 8 BOLTS)	16JB660016	->	->	->
362AN	ELAPSED TIME INDICATOR (60 HZ)	HK28DG115	->	->	->
362BN	ELAPSED TIME INDICATOR (50 HZ)	HK28DG116	->	->	->
363 N	OCTYL ALCOHOL (1 GALLON/3.7 LTRS)	1684-1551	->	->	->
364 N	TUBE CLEANING BRUSH (3/4" TUBES)	KC21AH105	->	->	->

PARTS LIST CATALOG

PARTS LIST PAGE: 023

CATALOG NO.: RCD-3516-007 REV. A
SUPERSEDES: RCD-3516-007 REV.

NOTE: SEE "CATALOG NOTES" ON LAST PAGE FOR EXPLANATION OF SYMBOLISH.



SINGLE EFFECT HERMETIC
 ABSORPTION LIQUID
 CHILLER

16JB

SIZE: 010 068
 SERIES: CMX

ITM	PART DESCRIPTION	16JB021	16JB024	16JB028	16JB032
		ALL VOLTAGES	ALL VOLTAGES	ALL VOLTAGES	ALL VOLTAGES
MISCELLANEOUS GROUP					
365 N	LITH BROMIDE(30 GAL)NON-INHIBITED	PS16CP030	->	->	->
366 N	LITH BROMIDE(30 GAL)CHROMATE-INHI	PS25AL253	->	->	->
367 N	LITH BROMIDE(10 GAL)NON-INHIBITED	PS20BL260	->	->	->
368 N	LITH BROMIDE(10 GAL)CHROMATE-INHI	PS25AL251	->	->	->
369 N	LITH HYDROXIDE(FOR ADJUSTING ALKY)	16JB032-003	->	->	->
370 N	GASKET MATL 1/32"THK X 3' X 5'	QR01-37-3532	->	->	->
371 N	GASKET MATL 1/16"THK X 3' X 5'	QR01-37-3516	->	->	->
372 N	SAMPLE TEST BOTTLE	17M32231	->	->	->
373 N	INHIBITOR #2 (36 GRAM) LITH NITRATE	PV07CZ-036	->	->	->
374 N	INHIBITOR #2 (180 GRAM)LITH NITRATE	PV07CZ-180	->	->	->
375 N	INHIBITOR #4 (4-1 GAL)LITH CHROMATE	PS25FL251	->	->	->
376 N	LOCTITE WELD SEALANT	PE01LL021	->	->	->
377 N	GALLON CONTAINER (PURGE EVACUATION)	LF51MB001	->	->	->
378 N	MOUNTING BRKT.,PURGE EVAC. CONTAINER	X	X	X	X
379 N	PURGE EXHAUST TUBE	16HA005-1949	->	->	->
380 N	PURGE EXHAUST CONNECTOR	KA70PP050	->	->	->
381 N	SOL TEST KIT (CHROMATE INHIBITORS)	KC16M2010	->	->	->
382 N	FILTER & GASKET KIT	16JB660025	->	->	->
383 N	FILTER CARTRIDGE	KH39ME600	->	->	->
384 N	GASKET (FILTER CARTRIDGE)	16JB680016	->	->	->
385 N	TOUCH UP PAINT (SPRAY)	PH23GL012	->	->	->
386 N	WELD LEAK SEALANT	19EA680002	->	->	->

PARTS LIST CATALOG

PARTS LIST PAGE: 024

CATALOG NO.: RCD-3516-007 REV. A
 SUPERSEDES : RCD-3516-007 REV.

NOTE: SEE "CATALOG NOTES" ON LAST PAGE FOR EXPLANATION OF SYMBOLISM.



SINGLE EFFECT HERMETIC
 ABSORPTION LIQUID
 CHILLER

16JB

SIZE: 010 068
 SERIES: CMX

ITM	PART DESCRIPTION	16JB036		16JB041		16JB047		16JB054	
		ALL VOLTAGES		ALL VOLTAGES		ALL VOLTAGES		ALL VOLTAGES	
GENERAL ASSEMBLY									
1	GASKET,CONDENSER WATER BOX	(2)	16JA0241044	(2)	16JA0411044	(2)	->	(2)	16JA0501044
2	GASKET,GENERATOR WATER BOX (STEAM)	(2)	16JA0321034	(2)	16JA0411034	(2)	->	(2)	16JA0541034
3	GASKT,GENERATOR WATER BOX(HOT WATER)	(2)	16JA0321184	(2)	16JA0411184	(2)	->	(2)	16JA0501434
4	GASKET,ABSORBER WATER BOX	(2)	16JA0321174	(2)	16JA0411174	(2)	->	(2)	16JA0501404
5	GASKET,EVAPORATOR WATER BOX	(2)	16JA0321174	(2)	16JA0411174	(2)	->	(2)	16JA0501174
6	TUBES,EVAPORATOR (INTREGAL FIN)	(298)	99TF501334	(340)	->	(394)	->	(336)	16JA0503002
7	TUBES,ABSORBER (PRIME SURFACE)	(269)	16JA0102992	(306)	->	(350)	->	(331)	16JA0502992
8	REPLACEMENT TUBE BUNDLE,GEN. (STEAM)		16JB0361111-1		16JB0411111-1		16JB0471111-1		16JB0541111-1
9	TUBES,CONDENSER	(216)	16JA0102992	(216)	->	(216)	->	(216)	->
10	PARTITION PLATE,GENERATOR (STEAM)		16JA0362763		16JA0412763		16JA0472763		16JA0542763
	NOTE: REFER TO FIELD EXPERIENCE REPORT #72-2.								
11	PARTITION PLATE,GENERATOR (HOT WATER)		16JA0362533		16JA0412533		16JA0472533		16JA0542293
	NOTE: REFER TO FIELD EXPERIENCE REPORT #72-2.								
12	GASKET,GENERATOR PARTITION		16JB0321523		16JB0411523		->		16JB0541523
	NOTE: REFER TO FIELD EXPERIENCE REPORT #72-2.								
13	RETAINER PLATE,GENERATOR PARTITION		16JA0322523		16JA0412523		->		16JA0501573
	NOTE: REFER TO FIELD EXPERIENCE REPORT #72-2.								
14	SCREW,SELF TAPPING (1/4-20 X 1" LG.)	(14)	AK92AB170	(14)	->	(14)	->	(10)	->
	NOTE: REFER TO FIELD EXPERIENCE REPORT #72-2.								
15	HEAT EXCHANGER,SOLUTION		16JB032134-1		16JB041134-1		->		16JB054134-1
16	CHECK VALVE		EC37C2421		->		->		->
17	VALVE,BALL (1/2")	(4)	EP71C9181	(4)	->	(4)	->	(4)	->
18	VALVE,SOLENOID (FLOTENDER TM)		EF23CM422		->		->		->
19	COIL		EF19XM120		->		->		->
20	DIAPHRAGM & SPRING		EF29XM430		->		->		->
21	VALVE,DIAPHRAGM (1") (PURGE ASY)		EF71ZM006		->		->		->
22	REPLACEMENT DIAPHRAGM (1")		EF79ZM006		->		->		->
23	ADAPTER (1")		EM99Z2300		->		->		->
24	VALVE,DIAPHRAGM (1/2") (PURGE ASY)		EF71CA181		->		->		->
25	DIAPHRAGM (1/2")		EF79ZA181		->		->		->
26	FLOAT ASY (PURGE)(STORAGE CHAMBER)		16JB010543		->		->		->
	NOTE: REFER TO SERVICE BULLETIN A9205.								
27	FLOAT		16JB010332		->		->		->
28	FLOAT ASY (PURGE)(SEPERATION CHAMBER)		16JB010123		->		->		->
	NOTE: REFER TO SERVICE BULLETIN A9205.								
29	FLOAT		16JB010332		->		->		->
30	EDUCTOR ASY(PURGE)(W/OUT CHECK VALVE)		16JB660023		->		->		->
31	EDUCTOR ASY(PURGE)(WITH CHECK VALVE)		16JB010113		->		->		->
32	STRAINER ASSEMBLY		16JA010111		->		->		->
33	GASKET		16JB0101102		->		->		->
34	DISC		16JA010272		->		->		->
35	EDUCTOR		16JB660023		->		->		->
36	REFRIG. FLOAT ASY (LLC)(CYCLE GUARD)		16JB660017		->		->		->
	NOTE: USED ON MACHINES WITH BOX TYPE FLOAT CHAMBER AND THE TRI-LEVEL SWITCH,SEE BULLETIN A9205.								
37	FLOAT		16JB010352		->		->		->
38	COVER PLATE (10 HOLES)		16JB010412		->		->		->
39	GASKET,COVER (10 HOLES)		16JB0101943		->		->		->
40	SPACER		16JB0103042		->		->		->
41	GASKET,OUTLET		16JB0104092		->		->		->
42	SWITCH ASY,FLOAT(SEE BULLETIN A9205)		16JB032243		16JB041243		->		16JB054243
	NOTE: SWITCHES USED WHEN FLOAT CHAMBER IS LOCATED ON END OF MACHINE.								
43	SWITCH ASY,FEED	(3)	16JB010302	(3)	->	(3)	->	(3)	->
44	SWITCH ASY,FLOAT(SEE BULLETIN A9205)		16JB032593		16JB041593		->		16JB054593

PARTS LIST CATALOG

PARTS LIST PAGE: 025

CATALOG NO. : RCD-3516-007 REV. A
 SUPERSEDES : RCD-3516-007 REV.

NOTE: SEE "CATALOG NOTES" ON LAST PAGE FOR EXPLANATION OF SYMBOLISM.



SINGLE EFFECT HERMETIC
ABSORPTION LIQUID
CHILLER

16JB

SIZE: 010 068
SERIES: CMX

ITM	PART DESCRIPTION	16JB036	16JB041	16JB047	16JB054
		ALL VOLTAGES	ALL VOLTAGES	ALL VOLTAGES	ALL VOLTAGES
GENERAL ASSEMBLY					
	USED ON MACHINES WITH BOX TYPE FLOAT CHAMBER AND THE TRI-LEVEL SWITCH.				
45	SWITCH ASY, REED	(3) 16JB010342	(3) ->	(3) ->	(3) ->
46	COVER, FLOAT BOX (20 HOLES)	16JB0104302	->	->	->
47	GASKET, FLOAT BOX COVER (20 HOLES)	16JB0104312	->	->	->
48	GASKET, OUTLET (10 HOLES)	16JB0101943	->	->	->
49	FLOAT ASY	16JB010603	->	->	->
50	FLOAT ASY, ANALOG	16J7810788	->	->	->
51	VALVE, DIAPHRAGM (1/2")	EF71CA181	->	->	->
52	DIAPHRAGM	EF792A181	->	->	->
53	ADAPTER	EM99AA522	->	->	->
54	FLOAT ASSEMBLY (W/EF79MZ006 DIAPH)	16JB010-352	->	->	->
55	SOLENOID VALVE (CYCLE GUARD)	(2) EF23CH183	(2) ->	(2) ->	(2) ->
	NOTE: REFER TO SERVICE BULLETIN A9306.				
56A	COIL, SOLENOID VALVE (CYCLE GUARD)	EF19XM120	->	->	->
56B	COIL, SOLENOID VALVE (CYCLE GUARD)	EF19XM122	->	->	->
57A	REPAIR KIT, SOLENOID (FOR EF19XM120)	16JB660013	->	->	->
57B	REPAIR KIT, SOLENOID (FOR EF19XM122)	16JB660030	->	->	->
58	LIGHT (CYCLE GUARD)	HY19AD024	->	->	->
59	SOLENOID VALVE (LIC)	(2) EF23CH183	(2) ->	(2) ->	(2) ->
	NOTE: REFER TO SERVICE BULLETIN A9306.				
60A	COIL, SOLENOID VALVE (LIC)	EF19XM120	->	->	->
60B	COIL, SOLENOID VALVE (LIC)	EF19XM122	->	->	->
61A	REPAIR KIT, SOLENOID (FOR EF19XM120)	16JB660013	->	->	->
61B	REPAIR KIT, SOLENOID (FOR EF19XM122)	16JB660030	->	->	->
62	"O" RING PACKAGE (QTY OF 60 KK71EM010)	16JT680039	->	->	->
63	GSKT, EVAPORATOR DIV PLT (25" ROLL)	19XB680001	->	->	->
64	GSKT, ABSORBER DIV PLT (25" ROLL)	19XB680001	->	->	->
65	NOZZLE, EVAPORATOR SPRAY	(40) 16JA010-312	(40) ->	(40) ->	(89) ->
66	NOZZLE, ABSORBER SPRAY	(128) 16JA010-322	(160) ->	(180) ->	(220) ->
67	RUPTURE DISC (2"-300 PSI)	X	X	X	X
68	GASKET (USED ON ITEM # 49)	X	X	X	X
69	RUPTURE DISC (3"-300 PSI)	EB59LY033	X	X	X
70	GASKET (USED ON ITEM # 51)	(2) CT90YA501	X	X	X
71	RUPTURE DISC (4"-300 PSI)	X	EB59LY034	->	->
72	GASKET (USED ON ITEM #53)	X	(2) CT90YA601	(2) ->	(2) ->
73	FLOAT SWITCH (DIL. LEVEL)(SEE A9205)	16JA010403	->	->	->
	USED IN EARLY MACHINES WITH SEPARATE LOW LEVEL AND DILUTION SWITCHES.				
74	FLOAT	16JB010332	->	->	->
75	FLOAT SWITCH (LOW LEVEL)(SEE A9205)	16JA050403	->	->	->
	USED IN EARLY MACHINES WITH SEPARATE LOW LEVEL AND DILUTION SWITCHES.				
76	FLOAT	16JB010332	->	->	->
ABSORBER VALVE ASSEMBLY					
77	VALVE, MANUAL DIAPHRAGM 1/2" S5N92321	EF71C9181	->	->	->
78	DIAPHRAGM REPLACEMENT KIT	16JB660012	->	->	->
79	DIAPHRAGM	16JB0101023	->	->	->
80	GASKET (OUTSIDE)	16JB0101192	->	->	->
81	GASKET (INSIDE)	16JB0102372	->	->	->
82	GASKET, ABSORBER VALVE	16JB0322592	->	->	->
83	"O" RING	KK71ZT005	->	->	->
84	"O" RING	KK71EM164	->	->	->
85	PLUG	16JB0321033	->	->	->
86	BUSHING	16JB0101242	->	->	->
87	PISTON	16JB0101212	->	->	->
88	BACKPLATE	16JB0101222	->	->	->

PARTS LIST CATALOG

PARTS LIST PAGE: 026

CATALOG NO.: RCD-3516-007 REV. A
SUPERSEDES : RCD-3516-007 REV.

NOTE: SEE "CATALOG NOTES" ON LAST PAGE FOR EXPLANATION OF SYMBOLISM.



SINGLE EFFECT HERMETIC
 ABSORPTION LIQUID
 CHILLER

16JB

SIZE: 010 068
 SERIES: CMX

ITM	PART DESCRIPTION	16JB036	16JB041	16JB047	16JB054
		ALL VOLTAGES	ALL VOLTAGES	ALL VOLTAGES	ALL VOLTAGES
ABSORBER VALVE ASSEMBLY					
89	SPRING	16JB0321232	->	->	->
90	LOW LEVEL CONTROL INSTALL. KIT	16JB010015	->	->	->
NOTE: USED TO REPLACE ABSORBER VALVE WHICH IS NO LONGER AVAILABLE AND IT IS REQUIRED TO CONVERT TO LOW LEVEL CONTROL.(LLC)					
91 N	VALVE ASSEMBLY	16JB010143	->	->	->
92 N	WELL,T'STAT	16JB0101722	->	->	->
93 N	RELAY,CONTROL	HN612L010	->	->	->
94 N	THERNOSWITCH	(2) HH22AG108	(2) ->	(2) ->	(2) ->
95 N	THERMOWELL	(2) 16JB0101722	(2) ->	(2) ->	(2) ->
96 N	LOW LEVEL FLOAT ASY	16JA050403	->	->	->
97 N	LOW LEVEL CONDUIT COVER	HX08ZB101	->	->	->
98 N	LOW LEVEL REED SWITCH	16JA010994	->	->	->
REFRIGERANT PUMP ASSEMBLY					
99	VERY IMPORTANT:SEE SERVICE BULLETINS A9303 AND A9304		->	->	->
VERY IMPORTANT: BEFORE SELECTING REPLACEMENT PUMPS OR PARTS REFER TO SERVICE BULLETINS A9303 AND A9304.					
100A	REF. PUMP ASY(230/460-3-60)DESIGN #2	16JB010168	16JB032178	->	16JB054168
100B	REF. PUMP ASY(575-3-60)DESIGN #2	16JA0101554-2	16JA032174-2	->	16JA050164-2
100C	REF. PUMP ASY(600-3-60)DESIGN #2	16JA0101554-4	16JA032174-4	->	16JA050164-4
100D	REF. PUMP ASY(200/400-3-50)DESIGN #2	16JB0321564	->	->	16JB0541554
101A	MOTOR (230/460-3-60)	16JB660031	16JB660032	->	->
101B	MOTOR (575-3-60)	16JA010027	16JA032004	->	->
101C	MOTOR (600-3-60)	16JA010027	16JA032010	->	->
101D	MOTOR (200/400-3-50)	16JB660032	->	->	->
102	STATOR	NLA	->	->	->
103	ROTOR	NLA	16JA032-003	->	->
104	BEARING	16JB680009	->	->	->
105	BEARING	16JB680009	->	->	->
106	SPRING	KT592P010	->	->	->
107	CLIP	KY592P020	KT592P020	->	->
108A	WEAR RING,MOTOR (230/460-3-60)	KK09XC042	KK09XD015	->	->
108B	WEAR RING,MOTOR (575-3-60)	KK09XD018	KK09XD015	->	->
108C	WEAR RING,MOTOR (500-3-60)	KK09XC042	KK09XD202	KK09XD020	KK09XD015
108D	WEAR RING,MOTOR (200/400-3-50)	KK09XD015	->	->	->
109A	WEAR RING,CASING (230/460-3-60)	KK09XC042	KK09XD015	->	->
109B	WEAR RING,CASING (575-3-60)	KK09XC042	KK09XD015	->	->
109C	WEAR RING,CASING (600-3-60)	KK09XC042	KK09XD015	->	->
109D	WEAR RING,CASING (200/400-3-50)	KK09XD015	->	->	->
110	GASKET	16JA010002	->	->	->
111A	IMPELLER (230/460-3-60)	KK75XA539	KK75XA533	->	KK75XA535
111B	IMPELLER (575-3-60)	KK75XA539	->	KK75XA533	KK75XA535
111C	IMPELLER (600-3-60)	KK75XA539	KK75XA533	->	KK75XA535
111D	IMPELLER (200/400-3-60)	KK75XA534	->	->	KK75XA536
112	LOCK WASHER,IMPELLER	KT592P021	->	->	->
113	LOCK SCREW,IMPELLER	KT592P031	->	->	->
114A	REF. PUMP ASY(230/460-3-60)DESIGN #3	16JB010168	16JB032178	->	16JB054168
114B	REF. PUMP ASY(575-3-60)DESIGN #3	16JB010168-1	16JB032178-1	->	16JB054168-1
114C	REF. PUMP ASY(600-3-60) DESIGN #3	16JB010168-3	16JB032178-3	->	16JB054168-3
114D	REF. PUMP ASY(200/400-3-50)DESIGN #3	16JB0321298	->	->	16JB054188
115A	MOTOR (230/460-3-60)	16JB660031	16JB660032	->	->
115B	MOTOR (575-3-60)	16JB660033	16JB660034	->	->
115C	MOTOR (600-3-60)	16JB660033	16JB660034	->	->
115D	MOTOR (200/400-3-60)	16JB660032	->	->	->
116A	STATOR (230/460-3-60)	16JB660006	16JB660008	->	->

PARTS LIST CATALOG

PARTS LIST PAGE: 027

CATALOG NO. : RCD-3516-007 REV. A
 SUPERSEDES : RCD-3516-007 REV.

NOTE: SEE "CATALOG NOTES" ON LAST PAGE FOR EXPLANATION OF SYMBOLISM.



SINGLE EFFECT HERMETIC
ABSORPTION LIQUID
CHILLER

16JB

SIZE: 010 068
SERIES: CMX

ITM	PART DESCRIPTION	16JB036	16JB041	16JB047	16JB054
		ALL VOLTAGES	ALL VOLTAGES	ALL VOLTAGES	ALL VOLTAGES
REFRIGERANT PUMP ASSEMBLY					
116B	STATOR (575-3-60)	NLA	16JB660009	->	NLA
116C	STATOR (600-3-60)	NLA	16JB660034	->	->
116D	STATOR (200/400-3-60)	16JB660008	->	->	->
117A	ROTOR (230/460-3-60)	16JB680004	16JB680005	->	->
117B	ROTOR (575-3-60)	16JB660034	->	->	->
117C	ROTOR (600-3-60)	16JB680004	16JB680005	->	->
117D	ROTOR (200/400-3-50)	16JB660034	->	->	->
118	BEARING	16JB680006	->	->	->
119	BEARING	16JB680006	->	->	->
120	SPRING	KT592P010	->	->	->
121A	WEAR RING,MOTOR (230/460-3-60)	KK09XD018	KK09XD020	->	->
121B	WEAR RING,MOTOR (575-3-60)	KK09XD018	KK09XD020	->	KK09XD018
121C	WEAR RING,MOTOR (600-3-60)	KK09XD018	KK09XD015	->	KK09XD020
121D	WEAR RING,MOTOR (200/400-3-50)	KK09XD020	->	->	->
122A	WEAR RING,CASING (230/460-3-60)	KK09XC042	KK09XD015	->	->
122B	WEAR RING,CASING (575-3-60)	KK09XC042	KK09XD015	->	KK09XC042
122C	WEAR RING,CASING (600-3-60)	KK09XC042	KK09XD015	->	->
122D	WEAR RING,CASING (200/400-3-50)	KK09XD015	->	->	->
123	GASKET	16JA010002	->	->	->
124A	IMPELLER (230/460-3-60)	KK75XA539	KK75XA533	->	KK75XA535
124B	IMPELLER (575-3-60)	KK75XA539	KK75XA533	->	KK75XA539
124C	IMPELLER (600-3-60)	KK75XA539	->	KK75XA533	KK75XA535
124D	IMPELLER (200/400-3-50)	KK75XA534	->	->	KK75XA536
125	LOCK WASHER,IMPELLER	KT592P021	->	->	->
126	LOCK SCREW,IMPELLER	KT592P031	->	->	->
127A	REF. PUMP ASY(230/460-3-60)DESIGN #4	16JB010118	16JB032148	->	16JB054118
127B	REF. PUMP ASY(575-3-60) DESIGN #4	16JB010118-1	16JB032148-1	->	16JB054118-1
127C	REF. PUMP ASY(600--3-60)DESIGN #4	16JB010118-6	16JB032148-6	->	16JB054118-6
127D	REF. PUMP ASY(200/400-3-50)DESIGN #4	16JB032158	->	->	16JB054128
128A	MOTOR (230/460-3-60)	16JB660031	16JB660032	->	->
128B	MOTOR (575-3-60)	16JB660033	16JB660034	->	->
128C	MOTOR (600-3-60)	16JB660033	16JB660034	->	->
128D	MOTOR (200/400-3-50)	16JB660032	->	->	->
129	BEARING	16JT680011	->	->	->
130	BEARING	16JT680011	->	->	->
131	SPRING	16JT680015	->	->	->
132A	WEAR RING,MOTOR (230/460-3-60)	KK09XD018	KK09XD020	->	->
132B	WEAR RING,MOTOR (575-3-60)	KK09XD018	KK09XD020	->	->
132C	WEAR RING,MOTOR (600-3-60)	KK09XD018	KK09XD015	->	->
132D	WEAR RING,MOTOR (200/400-3-50)	KK09XD020	->	->	->
133A	WEAR RING,CASING (230/460-3-60)	KK09XC042	KK09XD015	->	->
133B	WEAR RING,CASING (575-3-60)	KK09XC042	KK09XD015	->	->
133C	WEAR RING,CASING (600-3-60)	KK09XC042	KK09XD015	->	->
133D	WEAR RING,CASING (200/400-3-50)	KK09XD015	->	->	->
134	GASKET	16JT680009	->	->	->
135A	IMPELLER (230/460-3-60)	KK75XA539	KK75XA533	->	KK75XA535
135B	IMPELLER (575-3-60)	KK75XA539	KK75XA533	->	KK75XA535
135C	IMPELLER (600-3-60)	KK75XA539	KK75XA533	->	KK75XA535
135D	IMPELLER (200/400-3-50)	KK75XA534	->	->	KK75XA536
136	LOCK WASHER,IMPELLER	KT592P021	->	->	->
137	LOCK SCREW,IMPELLER	KT592P031	->	->	->
NOTE: ALL EXPLOSION PROOF PUMPS LISTED BELOW ARE 230/460-3-60.					
138	REF. PUMP (EXPLOSION PROOF)DESIGN #2	16JA0101554-3	16JA032174-3	->	16JA050164-3
139	REF. PUMP (EXPLOSION PROOF)DESIGN #3	16JB010168-2	16JB032178-2	->	16JB054168-2

PARTS LIST CATALOG

PARTS LIST PAGE: 028

CATALOG NO.: RCD-3516-007 REV. A
SUPERSEDES : RCD-3516-007 REV.

NOTE: SEE "CATALOG NOTES" ON LAST PAGE FOR EXPLANATION OF SYMBOLISM.



SINGLE EFFECT HERMETIC
ABSORPTION LIQUID
CHILLER

16JB

SIZE: 010 068
SERIES: CMX

ITM	PART DESCRIPTION	16JB036	16JB041	16JB047	16JB054
		ALL VOLTAGES	ALL VOLTAGES	ALL VOLTAGES	ALL VOLTAGES
REFRIGERANT PUMP ASSEMBLY					
140	REF. PUMP (EXPLOSION PROOF)DESIGN #4 SOLUTION PUMP ASSEMBLY	16JB010118-2	16JB032148-2	->	16JB054118-2
141	VERY IMPORTANT!SEE SERVICE BULLETINS A9303 AND A9304	A9303 AND A9304	->	->	->
	VERY IMPORTANT! BEFORE SELECTING REPLACEMENT PUMPS OR PARTS REFER TO SERVICE BULLETINS A9303 AND A9304.				
142A	SOL. PUMP ASY(230/460-3-60)DESIGN #2	16JB032178	->	->	16JB054178
142B	SOL. PUMP ASY(575-3-60)DESIGN #2	16JA032174-2	->	->	16JA050174-2
142C	SOL. PUMP ASY(600-3-60)DESIGN #2	16JA032174-4	->	->	16JA050174-4
142D	SOL. PUMP ASY(200/400-3-50)DESIGN #2	16JB0321564	->	->	16JB0541564
143A	MOTOR (230/460-3-60)	16JB660032	->	->	->
143B	MOTOR (575-3-60)	16JA032004	->	->	->
143C	MOTOR (600-3-60)	16JA032010	->	->	->
143D	MOTOR (200/400-3-50)	16JB660032	->	->	->
144	STATOR	NLA	->	->	->
145	ROTOR	NLA	16JA032-003	->	->
146	BEARING	16JB680009	->	->	->
147	BEARING	16JB680009	->	->	->
148	SPRING	KT592P010	->	->	->
149	CLIP	KT592P020	->	->	->
150A	WEAR RING,MOTOR (230/460-3-60)	KK09XC042	KK09XD015	->	->
150B	WEAR RING,MOTOR (575-3-60)	KK09XD015	->	->	->
150C	WEAR RING,MOTOR (600-3-60)	KK09XD015	->	->	->
150D	WEAR RING,MOTOR (200/400-3-50)	KK09XD015	->	->	->
151A	WEAR RING,CASING (230/460-3-60)	KK09XC042	KK09XD015	->	->
151B	WEAR RING,CASING (575-3-60)	KK09XD015	->	->	->
151C	WEAR RING,CASING (600-3-60)	KK09XD015	->	->	->
151D	WEAR RING,CASING (200/400-3-50)	KK09XD015	->	->	->
152	GASKET	16JA010002	->	->	->
153A	IMPELLER (230/460-3-60)	KK75XA540	KK75XA533	->	KK75XA537
153B	IMPELLER (575-3-60)	KK75XA533	->	->	KK75XA537
153C	IMPELLER (600-3-60)	KK75XA533	->	->	KK75XA537
153D	IMPELLER (200/400-3-50)	KK75XA534	->	->	KK75XA538
154	LOCK WASHER,IMPELLER	KT592P021	->	->	->
155	LOCK SCREW,IMPELLER	KT592P031	->	->	->
156A	SOL. PUMP ASY(230/460-3-60)DESIGN #3	16JB032178	->	->	16JB054178
156B	SOL. PUMP ASY(575-3-60)DESIGN #3	16JB032178-1	->	->	16JB054178-1
156C	SOL. PUMP ASY(600-3-60)DESIGN #3	16JB032178-3	->	->	16JB054178-3
156D	SOL. PUMP ASY(200/400-3-50)DESIGN #3	16JB032198	->	->	16JB054158
157A	MOTOR (230/460-3-60)	16JB660032	->	->	->
157B	MOTOR (575-3-60)	16JB660034	->	->	->
157C	MOTOR (600-3-60)	16JB660034	->	->	->
157D	MOTOR (200/400-3-50)	16JB660032	->	->	->
158A	STATOR (230/460-3-60)	16JB660008	->	->	->
158B	STATOR (575-3-60)	16JB660009	->	->	->
158C	STATOR (600-3-60)	16JB660034	->	->	->
158D	STATOR (200/400-3-50)	16JB660008	->	->	->
159A	ROTOR (230/460-3-60)	16JB680005	->	->	->
159B	ROTOR (575-3-60)	16JB680005	->	->	->
159C	ROTOR (600-3-60)	16JB680005	->	->	->
159D	ROTOR (200/400-3-50)	16JB680005	->	->	->
160	BEARING	16JB680006	->	->	->
161	BEARING	16JB680006	->	->	->
162	SPRING	KT592P010	->	->	->
163A	WEAR RING,MOTOR (230/460-3-60)	KK09XD020	->	->	->

PARTS LIST CATALOG

PARTS LIST PAGE: 029

CATALOG NO. : RCD-3516-007 REV. A
SUPERSEDES : RCD-3516-007 REV.

NOTE: SEE "CATALOG NOTES" ON LAST PAGE FOR EXPLANATION OF SYMBOLISM.



SINGLE EFFECT HERMETIC
 ABSORPTION LIQUID
 CHILLER

16JB

SIZE: 010 068
 SERIES: CMX

ITM	PART DESCRIPTION	16JB036	16JB041	16JB047	16JB054
		ALL VOLTAGES	ALL VOLTAGES	ALL VOLTAGES	ALL VOLTAGES
SOLUTION PUMP ASSEMBLY					
163B	WEAR RING,MOTOR (575-3-60)	KK09XD020	->	->	->
163C	WEAR RING,MOTOR (600-3-60)	KK09XD020	->	->	->
163D	WEAR RING,MOTOR (200/400-3-50)	KK09XD020	->	->	->
164A	WEAR RING,CASING (230/460-3-60)	KK09XD015	->	->	->
164B	WEAR RING,CASING (575-3-60)	KK09XD015	->	->	->
164C	WEAR RING,CASING (600-3-60)	KK09XD015	->	->	->
164D	WEAR RING,CASING (200/400-3-50)	KK09XD015	->	->	->
165	GASKET	16JA01002	->	->	->
166A	IMPELLER (230/460-3-60)	KK75XA533	->	->	KK75XA537
166B	IMPELLER (575-3-60)	KK75XA533	->	->	KK75XA537
166C	IMPELLER (600-3-60)	KK75XA533	->	->	KK75XA537
166D	IMPELLER (200/400-3-50)	KK75XA534	->	->	KK75XA538
167	LOCK WASHER,IMPELLER	KT592P021	->	->	->
168	LOCK SCREW,IMPELLER	KT592P031	->	->	->
169A	SOL. PUMP ASY(230/460-3-60)DESIGN #4	16JB032148	->	->	16JB054148
169B	SOL. PUMP ASY(575-3-60)DESIGN #4	16JB032148-1	->	->	16JB054148-1
169C	SOL. PUMP ASY(600-3-60)DESIGN #4	16JB032148-6	->	->	16JB054148-6
169D	SOL. PUMP ASY(200/400-3-50)DESIGN #4	16JB032158	->	->	16JB054158
170A	MOTOR (230/460-3-60)	16JB660032	->	->	->
170B	MOTOR (575-3-60)	16JB660034	->	->	->
170C	MOTOR (600-3-60)	16JB660034	->	->	->
170D	MOTOR (200/400-3-50)	16JB660032	->	->	->
171	BEARING	16JT680011	->	->	->
172	BEARING	16JT680011	->	->	->
173	SPRING	16JT680015	->	->	->
174A	WEAR RING,MOTOR (230/460-3-60)	KK09XD020	->	->	->
174B	WEAR RING,MOTOR (575-3-60)	KK09XD020	->	->	->
174C	WEAR RING,MOTOR (600-3-60)	KK09XD020	->	->	->
174D	WEAR RING,MOTOR (200/400-3-50)	KK09XD020	->	->	->
175A	WEAR RING,CASING (230/460-3-60)	KK09XD015	->	->	->
175B	WEAR RING,CASING (575-3-60)	KK09XD015	->	->	->
175C	WEAR RING,CASING (600-3-60)	KK09XD015	->	->	->
175D	WEAR RING,CASING (200/400-3-50)	KK09XD015	->	->	->
176	GASKET	16JT680009	->	->	->
177A	IMPELLER (230/460-3-60)	KK75XA533	->	->	KK75XA537
177B	IMPELLER (575-3-60)	KK75XA533	->	->	KK75XA537
177C	IMPELLER (600-3-60)	KK75XA533	->	->	KK75XA537
177D	IMPELLER (200/400-3-50)	KK75XA534	->	->	KK75XA538
178	LOCK WASHER,IMPELLER	KT592P021	->	->	->
179	LOCK SCREW,IMPELLER	KT592P031	->	->	->
NOTE: ALL EXPLOSION PROOF PUMPS LISTED BELOW ARE 230/460-3-60.					
180	SOL. PUMP (EXPLOSION PROOF)DESIGN #2	16JA032174-3	->	->	16JA050174-3
181	SOL. PUMP (EXPLOSION PROOF)DESIGN #3	16JB032178-2	->	->	16JB054178-2
182	SOL. PUMP (EXPLOSION PROOF)DESIGN #4	16JB032148-2	->	->	16JB054148-2
ELECTRONIC STEAM VALVE					
183A	ELEC. STEAM VALVE ASY(CAGED 2-1/2)	16JB010328	->	->	->
183B	ELEC. STEAM VALVE ASY(CAGED 3A)	16JB010338	->	->	->
183C	ELEC. STEAM VALVE ASY(CAGED 3B)	16JB010348	->	->	->
183D	ELEC. STEAM VALVE ASY(CAGED 4A)	16JB010358	->	->	->
183E	ELEC. STEAM VALVE ASY(CAGED 4B)	16JB010368	->	->	->
184	MOTOR (HONEYWELL)	SEE BULLETIN #A9308	->	->	->
185	LINKAGE (HONEYWELL)	EF09B2017	->	->	->
186	AUXILIARY SWITCH (HONEYWELL)	FF09B3550	->	->	->
187A	O-RING,CAGE (2-1/2A) (HONEYWELL)	(2) KK71EL149	(2) ->	(2) ->	(2) ->

PARTS LIST CATALOG

PARTS LIST PAGE: 030

CATALOG NO.: RCD-3516-007 REV. A
 SUPERSEDES : RCD-3516-007 REV.

NOTE: SEE "CATALOG NOTES" ON LAST PAGE FOR EXPLANATION OF SYMBOLISM.



SINGLE EFFECT HERMETIC
ABSORPTION LIQUID
CHILLER

16JB

SIZE: 010 068
SERIES: CMX

ITM	PART DESCRIPTION	16JB036		16JB041		16JB047		16JB054	
		ALL VOLTAGES		ALL VOLTAGES		ALL VOLTAGES		ALL VOLTAGES	
ELECTRONIC STEAM VALVE									
187B	O-RING,CAGE (3A & 3B) (HONEYWELL)	(2)	KK71E1152	(2)	->	(2)	->	(2)	->
187C	O-RING,CAGE (4A & 4B) (HONEYWELL)	(2)	KK71E1156	(2)	->	(2)	->	(2)	->
188A	GASKET,BONNET (2-1/2A) (HONEYWELL)		EF69ZB542		->		->		->
188B	GASKET,BONNET (3A & 3B) (HONEYWELL)		EF69ZB602		->		->		->
188C	GASKET,BONNET (4A & 4B) (HONEYWELL)		EF69ZB712		->		->		->
189A	CAGE (2-1/2A) (HONEYWELL)		EF69ZB544		->		->		->
189B	CAGE (3A) (HONEYWELL)		EF69ZB604		->		->		->
189C	CAGE (3B) (HONEYWELL)		EF69ZB605		->		->		->
189D	CAGE (4A) (HONEYWELL)		EF69ZB714		->		->		->
189E	CAGE (4B) (HONEYWELL)		EF69ZB715		->		->		->
190A	O-RING,PLUG (2-1/2A) (HONEYWELL)		KK71E1230		->		->		->
190B	O-RING,PLUG (3A & 3B) (HONEYWELL)		KK71E1234		->		->		->
190C	O-RING,PLUG (4A & 4B) (HONEYWELL)		KK71E1242		->		->		->
191A	PLUG & STEM (2-1/2A) (HONEYWELL)		EF69ZB541		->		->		->
191B	PLUG & STEM (3A & 3B) (HONEYWELL)		EF69ZB601		->		->		->
191C	PLUG & STEM (4A & 4B) (HONEYWELL)		EF69ZB711		->		->		->
192	PACKING (HONEYWELL)		EF69ZB543		->		->		->
193A	ELECTRONIC CONTROLS KIT (60HZ) (B-C)		16JB660027		->		->		->
193B	ELECTRONIC CONTROLS KIT (50HZ) (B-C)		16JB660028		->		->		->
KIT USED TO CONVERT FROM HONEYWELL TO BARBER-COLMAN CAPACITY CONTROL.									
194A	MOTOR,ACTUATOR (60HZ)		16JB680050		->		->		->
194B	MOTOR,ACTUATOR (50HZ)		16JB680051		->		->		->
195	SENSOR,CHILLED WATER		16JB680052		->		->		->
196	CONTROLLER,TEMPERATURE		16JB680053		->		->		->
197	ADJUSTER,TEMP. SET POINT		16JB680054		->		->		->
198A	ELEC. STEAM VALVE ASY (CAGED 5A)		16JB010378		->		->		->
198B	ELEC. STEAM VALVE ASY (CAGED 5B)		16JB010388		->		->		->
198C	ELEC. STEAM VALVE ASY (CAGED 6A)		16JB010408		->		->		->
199	MOTOR (HONEYWELL)		SEE BULLETIN #A9308		->		->		->
200	LINKAGE (HONEYWELL)		EF09B2017		->		->		->
201	AUXILIARY SWITCH (HONEYWELL)		NSS		->		->		->
202	O-RING,CAGE		NSS		->		->		->
203A	GASKET,BONNET (5A & 5B) (HONEYWELL)		EF69ZB752		->		->		->
203B	GASKET,BONNET (6A) (HONEYWELL)		EF69ZB791		->		->		->
204	CAGE (HONEYWELL)		EF69ZB754		->		->		->
205	O-RING,PLUG (HONEYWELL)		NSS		->		->		->
206	PLUG & STEM (HONEYWELL)		EF69ZB751		->		->		->
207	PACKING (HONEYWELL)		EF69ZB543		->		->		->
208A	ELECTRONIC CONTROLS KIT (60HZ)		16JB660027		->		->		->
208B	ELECTRONIC CONTROLS KIT (50HZ)		16JB660028		->		->		->
KIT USED TO CONVERT FROM HONEYWELL TO BARBER-COLMAN CAPACITY CONTROL.									
209A	MOTOR,ACTUATOR (60HZ)		16JB680050		->		->		->
209B	MOTOR,ACTUATOR (50HZ)		16JB680051		->		->		->
210	SENSOR,CHILLED WATER		16JB680052		->		->		->
211	CONTROLLER,TEMPERATURE		16JB680053		->		->		->
212	ADJUSTER,TEMP. SET POINT		16JB680054		->		->		->
213A	ELEC. BUTTERFLY STEAM VALVE (2C)		16JB010221 NLA		->		->		->
213B	ELEC. BUTTERFLY STEAM VALVE (2-1/2C)		16JB012221 NLA		->		->		->
213C	ELEC. BUTTERFLY STEAM VALVE (3C)		16JB014221 NLA		->		->		->
213D	ELEC. BUTTERFLY STEAM VALVE (4C)		16JB018221 NLA		->		->		->
213E	ELEC. BUTTERFLY STEAM VALVE (5C)		16JB010398		->		->		->
214	MOTOR (HONEYWELL)		SEE BULLETIN #A9308		->		->		->
215	SWITCH (HONEYWELL)		EF09ZB350		->		->		->
216A	VALVE (2C) (HONEYWELL)		16JB0102232		->		->		->

PARTS LIST CATALOG

PARTS LIST PAGE: 031

CATALOG NO. : RCD-3516-007 REV. A
SUPERSEDES : RCD-3516-007 REV.

NOTE: SEE "CATALOG NOTES" ON LAST PAGE FOR EXPLANATION OF SYMBOLISM.



SINGLE EFFECT HERMETIC
ABSORPTION LIQUID
CHILLER

16JB

SIZE: 010 068
SERIES: CMX

ITM	PART DESCRIPTION	16JB036	16JB041	16JB047	16JB054
		ALL VOLTAGES	ALL VOLTAGES	ALL VOLTAGES	ALL VOLTAGES
ELECTRONIC STEAM VALVE					
216B	VALVE (2-1/2C) (HONEYWELL)	16JB0102242	->	->	->
216C	VALVE (3C) (HONEYWELL)	16JB0102252	->	->	->
216D	VALVE (4C) (HONEYWELL)	16JB0102262	->	->	->
216E	VALVE (5C) (HONEYWELL)	16JB0102272	->	->	->
217A	TAPER PINS (2C,2-1/2C & 3C) (HON	(2) 16JB010002	(2) ->	(2) ->	(2) ->
217B	TAPER PINS (4C) (HONEYWELL)	(2) 16JB010008	(2) ->	(2) ->	(2) ->
217C	TAPER PINS (5C) (HONEYWELL)	(2) 16JB010007	(2) ->	(2) ->	(2) ->
218	LINK (HONEYWELL)	16JB010005	->	->	->
219	KEY (4C & 5C) (HONEYWELL)	16JB010006	->	->	->
220A	PACKING SET (2C,2-1/2C,3C) (HONEYM	16JB010013	->	->	->
220B	PACKING SET (4C & 5C) (HONEYWELL)	16JB010014	->	->	->
221A	V-RINGS (2C,2-1/2C,3C) (HONEYWEL	(8) 16JB010013	(8) ->	(8) ->	(8) ->
221B	V-RINGS (4C & 5C) (HONEYWELL)	(8) 16JB010014	(8) ->	(8) ->	(8) ->
222A	MALE ADAPTERS (2C,2-1/2C,3C)(HON	(2) 16JB680059	(2) ->	(2) ->	(2) ->
222B	MALE ADAPTERS (4C & 5C) (HONEYWE	(2) 16JB010009	(2) ->	(2) ->	(2) ->
223A	ELECTRONIC CONTROLS KIT (60HZ)	16JB660027	->	->	->
223B	ELECTRONIC CONTROLS KIT (50HZ)	16JB660028	->	->	->
KIT USED TO CONVERT FROM HONEYWELL TO BARBER-COLMAN CAPACITY CONTROL.					
224A	MOTOR,ACTUATOR (60HZ)	16JB680050	->	->	->
224B	MOTOR,ACTUATOR (50HZ)	16JB680051	->	->	->
225	SENSOR,CHILLED WATER	16JB680052	->	->	->
226	CONTROLLER,TEMPERATURE	16JB680053	->	->	->
227	ADJUSTER,TEMP. SET POINT PNEUMATIC STEAM VALVE	16JB680054	->	->	->
228A	PNEU. CAGED STEAM VALVE (2-1/2A)	EF61MB012	->	->	->
228B	PNEU. CAGED STEAM VALVE (3A)	EF61MB013	->	->	->
228C	PNEU. CAGED STEAM VALVE (3B)	EF61JB013	->	->	->
228D	PNEU. CAGED STEAM VALVE (4A)	EF61MB014	->	->	->
228E	PNEU. CAGED STEAM VALVE (4B)	EF61JB014	->	->	->
229	ACTUATOR	EF692B015	->	->	->
230	DIAPHRAGM	16JA010022	->	->	->
231	PILOT POSITIONER	EF692B025	->	->	->
232	SPRING,PILOT POSITIONER	16HA005022	->	->	->
233A	O-RING,CAGE (2-1/2A)	(2) KK71EL149	(2) ->	(2) ->	(2) ->
233B	O-RING,CAGE (3A & 3B)	(2) KK71EL152	(2) ->	(2) ->	(2) ->
233C	O-RING,CAGE (4A & 4B)	(2) KK71EL156	(2) ->	(2) ->	(2) ->
234A	GASKET,BONNET (2-1/2A)	EF692B542	->	->	->
234B	GASKET,BONNET (3A & 3B)	EF692B602	->	->	->
234C	GASKET,BONNET (4A & 4B)	EF692B712	->	->	->
235A	CAGE (2-1/2A)	EF692B544	->	->	->
235B	CAGE (3A)	EF692B604	->	->	->
235C	CAGE (3B)	EF692B605	->	->	->
235D	CAGE (4A)	EF692B714	->	->	->
235E	CAGE (4B)	EF692B715	->	->	->
236A	O-RING,PLUG (2-1/2A)	KK71EL230	->	->	->
236B	O-RING,PLUG (3A & 3B)	KK71EL234	->	->	->
236C	O-RING,PLUG (4A & 4B)	KK71EL242	->	->	->
237A	PLUG & STEM (2-1/2A)	EF692B541	->	->	->
237B	PLUG & STEM (3A & 3B)	EF692B601	->	->	->
237C	PLUG & STEM (4A & 4B)	EF692B711	->	->	->
238	PACKING	EF692B543	->	->	->
239A	PNEU. BUTTERFLY STEAM VALVE (2C)	16JB010201	->	->	->
239B	PNEU. BUTTERFLY STEAM VALVE (2-1/2C)	16JB012201	->	->	->
239C	PNEU. BUTTERFLY STEAM VALVE (3C)	16JB014201	->	->	->

PARTS LIST CATALOG

PARTS LIST PAGE: 032

CATALOG NO.: RCD-3516-007 REV. A
SUPERSEDES : RCD-3516-007 REV.

NOTE: SEE "CATALOG NOTES" ON LAST PAGE FOR EXPLANATION OF SYMBOLISM.



SINGLE EFFECT HERMETIC
ABSORPTION LIQUID
CHILLER

16JB

SIZE: 010 068
SERIES: CMX

ITM	PART DESCRIPTION	16JB036		16JB041		16JB047		16JB054	
		ALL VOLTAGES		ALL VOLTAGES		ALL VOLTAGES		ALL VOLTAGES	
PNEUMATIC STEAM VALVE									
239D	PNEU. BUTTERFLY STEAM VALVE (4C)		16JB018201		->		->		->
239E	PNEU. BUTTERFLY STEAM VALVE (5C)		16JB010294		->		->		->
240	ACTUATOR		16JB0102312		->		->		->
241	DIAPHRAGM		16JB010012		->		->		->
242A	VALVE (2C)		16JB0102182		->		->		->
242B	VALVE (2-1/2C)		16JB0102192		->		->		->
242C	VALVE (3C)		16JB0102202		->		->		->
242D	VALVE (4C)		16JB0102212		->		->		->
242E	VALVE (5C)		16JB0102222		->		->		->
243A	TAPER PINS (2C, 2-1/2C, 3C)	(2)	16JB010002	(2)	->	(2)	->	(2)	->
243B	TAPER PINS (4C)	(2)	16JB010008	(2)	->	(2)	->	(2)	->
243C	TAPER PINS (5C)	(2)	16JB010007	(2)	->	(2)	->	(2)	->
244	LINK		16JB010005		->		->		->
245	KEY (4C & 5C)		16JB010006		->		->		->
246A	PACKING SET (2C, 2-1/2C, 3C)		16JB010013		->		->		->
246B	PACKING SET (4C & 5C)		16JB010014		->		->		->
247A	"V" RINGS (2C, 2-1/2C, 3C)		16JB010013		->		->		->
247B	"V" RINGS (4C & 5C)	(8)	16JB010014	(8)	->	(8)	->	(8)	->
248A	MALE ADAPTERS (2C, 2-1/2C, 3C)	(2)	16JB680059	(2)	->	(2)	->	(2)	->
248B	MALE ADAPTERS (4C & 5C)	(2)	16JB010009	(2)	->	(2)	->	(2)	->
MECHANICAL CONTROLS GROUP									
249A	CONV. KIT, FROM PNEU. TO ELEC. (60HZ)		16JB660027		->		->		->
249B	CONV. KIT, FROM PNEU. TO ELEC. (50HZ)		16JB660028		->		->		->
250	REED SWITCH (5") (PURGE SEP. CHAMBER)		16JB010302		->		->		->
251	REED SWITCH (7-1/2") (PURGE STORAGE)		16JB010342		->		->		->
252	REED SWITCH (16-1/8") (DILUTION LEVEL)		16JA010794-1		->		->		->
253	REED SWITCH (10-1/8") (LOW LEVEL)		16JA010994		->		->		->
254A	TRANSFORMER (190/208/230/380/460V)		16JA010222		->		->		->
254B	TRANSFORMER (600V)		NLA		->		->		->
256	SWITCH (SPST)	(3)	HR53ZA035	(3)	->	(3)	->	(3)	->
257	TOGGLE SWITCH (SPDT)		HR53VR026		->		->		->
258	SWITCH (SPDT)		HR54ZZ001		->		->		->
259	DOOR LOCK (CORBIN-15760XC45)		PROCURE LOCALLY		->		->		->
260	DISCONNECT SWITCH		HR61EZ010		->		->		->
261	TEMP CONTROLLER-LTCO (20" ELEMENT)		HH22AG106		->		->		->
262	RESET, PUSH BUTTON	(2)	HR73AZ020	(2)	->	(2)	->	(2)	->
263	LIGHT, YELLOW		HY19A2004		->		->		->
264	LIGHT, RED		HY19A2002		->		->		->
265	RELAY	(4)	HN61K1031	(4)	->	(4)	->	(4)	->
266A	INDICATOR, ELAPSED TIME (60 HZ)		19EA660035		->		->		->
266B	INDICATOR, ELAPSED TIME (50 HZ)		HK28TA116		->		->		->
268	TEMPERATURE CONTROLLER	(2)	HH22AG108	(2)	->	(2)	->	(2)	->
269	FUSE HOLDER		HKP-HH		->		->		->
270	FUSE (RUSSMAN-GLH-10A)		X		X		X		X
271	TEMPERATURE SENSOR (ELEC. ONLY)		HH19A2031		->		->		->
272	CONTROL POINT ADJUSTER (ELEC. ONLY)		HT24AZ115		->		->		->
273	TEMPERATURE CONTROLLER (PNEU. ONLY)		16JB680056		->		->		->
274	PRESSURE GAUGE (PNEU. ONLY)		PROCURE LOCALLY		->		->		->
275	SWITCH (ELECTRONIC CONTROLLED PNEU.)		HL73DC009		->		->		->
276	RESET SWITCH (CUTLER HAMMER-7583K8)		PROCURE LOCALLY		->		->		->
277	TUBING (IMPERIAL EASTMAN-44P)		PROCURE LOCALLY		->		->		->
278	CONNECTOR (FOR IT # 290)	(7)	DC05CA053	(7)	->	(7)	->	(7)	->
279	TEMPERATURE SENSOR		HL15ME110		->		->		->
280	SEPARABLE WELL (FOR ITEM # 278)		HL79M2100		->		->		->

PARTS LIST CATALOG

PARTS LIST PAGE: 033

CATALOG NO.: RCD-3516-007 REV. A
SUPERSEDES : RCD-3516-007 REV.

NOTE: SEE "CATALOG NOTES" ON LAST PAGE FOR EXPLANATION OF SYMBOLISM.



SINGLE EFFECT HERMETIC
 ABSORPTION LIQUID
 CHILLER

16JB

SIZE: 010 068
 SERIES: CMX

ITM	PART DESCRIPTION	16JB036		16JB041		16JB047		16JB054	
		ALL VOLTAGES		ALL VOLTAGES		ALL VOLTAGES		ALL VOLTAGES	
MECHANICAL CONTROLS GROUP									
281	SWITCH (10-SIDE,PRESS. ACTUATED)		HK02AC015		->		->		->
282	STARTER (30 AMP)	(2)	HN03LC510	(2)	->	(2)	->	(2)	->
283 N	CONTACT KIT	(6)	HN79LZ120	(6)	->	(6)	->	(6)	->
284 N	OVERLOAD RELAY	(2)	HN68JX003	(2)	->	(2)	->	(2)	->
285 N	COIL	(2)	HN72LZ251	(2)	->	(2)	->	(2)	->
286	CONTACTOR (25 AMP)(A.O.SMITH)	(2)	HN53CB115A	(2)	->	(2)	->	(2)	->
287 N	CONTACT KIT	(6)	HN79CZ030	(6)	->	(6)	->	(6)	->
288 N	OVERLOAD RELAY	(2)	HN68JX003	(2)	->	(2)	->	(2)	->
289 N	COIL	(2)	HN72CZ101	(2)	->	(2)	->	(2)	->
290	CONTACTOR (25 AMP)(GENERAL ELECTRIC)	(2)	HN53CB115B	(2)	->	(2)	->	(2)	->
291 N	CONTACT KIT	(2)	HN79HZ206	(2)	->	(2)	->	(2)	->
292 N	OVERLOAD RELAY	(2)	HN68JX003	(2)	->	(2)	->	(2)	->
293 N	COIL	(2)	HN72HZ224	(2)	->	(2)	->	(2)	->
294	CONTACTOR (25 AMP)(ARROW HART/HEGEMA)	(2)	HN53CB115C	(2)	->	(2)	->	(2)	->
295 N	CONTACT KIT	(6)	HN79LZ122	(6)	->	(6)	->	(6)	->
296 N	OVERLOAD RELAY	(2)	HN68JX003	(2)	->	(2)	->	(2)	->
297 N	COIL	(2)	NOT STOCKED	(2)	->	(2)	->	(2)	->
298	CONTACTOR (25 AMP)(CUTLER HAMMER)	(2)	HN53CB115D	(2)	->	(2)	->	(2)	->
299 N	CONTACT KIT	(6)	HN79AZ003	(6)	->	(6)	->	(6)	->
300 N	OVERLOAD RELAY	(2)	HN68JX003	(2)	->	(2)	->	(2)	->
301 N	COIL	(2)	HN53CB115	(2)	->	(2)	->	(2)	->
302	CONTACTOR (40 AMP)(A.O.SMITH)	(2)	HN53CD115A	(2)	->	(2)	->	(2)	->
303 N	CONTACT KIT	(6)	HN79CZ040	(6)	->	(6)	->	(6)	->
304 N	OVERLOAD RELAY	(2)	HN68JX003	(2)	->	(2)	->	(2)	->
305 N	COIL	(2)	HN72CZ101	(2)	->	(2)	->	(2)	->
306	CONTACTOR (40 AMP)(GENERAL ELECTRIC)	(2)	HN53CD115B	(2)	->	(2)	->	(2)	->
307 N	CONTACT KIT	(2)	HN79HZ209	(2)	->	(2)	->	(2)	->
308 N	OVERLOAD RELAY	(2)	HN68JX003	(2)	->	(2)	->	(2)	->
309 N	COIL	(2)	HN72HZ224	(2)	->	(2)	->	(2)	->
310	CONTACTOR (40 AMP)(CUTLER HAMMER)	(2)	HN53CD115D	(2)	->	(2)	->	(2)	->
311 N	CONTACT KIT	(6)	HN79AZ004	(6)	->	(6)	->	(6)	->
312 N	OVERLOAD RELAY	(2)	HN68JX003	(2)	->	(2)	->	(2)	->
313 N	COIL	(2)	HN72AZ341	(2)	->	(2)	->	(2)	->
PIC CONTROLS GROUP									
314	THERMISTOR (5K)	(11)	HH79NZ047	(11)	->	(11)	->	(11)	->
315	THERMISTOR (100K)	(2)	HH79NZ070	(2)	->	(2)	->	(2)	->
316	TRANSDUCER,LOW PRESSURE		HK05YZ002		->		->		->
317	FLOAT SWITCH (ANALOG)		16JT810788		->		->		->
318	FLOAT SWITCH (REED SWITCH)		16JT8571090		->		->		->
319	TEMPERATURE SWITCH,HIGH		11B06-46		->		->		->
320	TEMPERATURE SWITCH,LOW		TNSC114Y		->		->		->
321	SENSOR CABLE,THERMISTOR		HN79NZ072		->		->		->
322	SENSOR CABLE,TRANSDUCER		16JT810798		->		->		->
323A	CONTROL PANEL,PIC (208-240/3/60)		16JB010758		->		->		->
323B	CONTROL PANEL,PIC (416-480/3/60)		16JB010768		->		->		->
323C	CONTROL PANEL,PIC (550-600/3/60)		16JB010778		->		->		->
323D	CONTROL PANEL,PIC (380/3/50)		16JB010788		->		->		->
324	FUSED DISCON. (FDC)(TELEMECANIQUE)		D1053		->		->		->
325A	FUSE (208-240V) (FDC)	(3)	FRSR-50	(3)	FRSR-60	(3)	->	(3)	->
325B	FUSE (416-480V) (FDC)	(3)	FRS-R25	(3)	FRS-R30	(3)	->	(3)	->
325C	FUSE (550-600V) (FDC)	(3)	FRS-R20	(3)	FRS-R25	(3)	->	(3)	->
325D	FUSE (380V-50HZ) (FDC)	(3)	FRS-R30	(3)	->	(3)	->	(3)	->
326	HANDLE,NEMA 12 (TELEMECANIQUE)		D115F4		->		->		->
327	COOLING FAN KIT (DAYTON)		4C550/4C551/5C032		->		->		->

PARTS LIST CATALOG

PARTS LIST PAGE: 034

CATALOG NO.: RCD-3516-007 REV. A
 SUPERSEDES : RCD-3516-007 REV.

NOTE: SEE "CATALOG NOTES" ON LAST PAGE FOR EXPLANATION OF SYMBOLISM.



SINGLE EFFECT HERMETIC
ABSORPTION LIQUID
CHILLER

16JB

SIZE: 010 068
SERIES: CMX

ITM	PART DESCRIPTION	16JB036	16JB041	16JB047	16JB054
		ALL VOLTAGES	ALL VOLTAGES	ALL VOLTAGES	ALL VOLTAGES
PIC CONTROLS GROUP					
328	LID 1B,BACKLIT (UTEK)	CEPL130230-01	->	->	->
329	DOOR LATCH,3-POINT (EMKA INC.)	1125-U206-01G	->	->	->
330	INDICATOR LIGHT,RED	16JB0101115	->	->	->
331	INDICATOR LIGHT,WHITE	(2) 16JT8121108	(2) ->	(2) ->	(2) ->
332	INDICATOR LIGHT,GREEN	(2) 16JT8101108	(2) ->	(2) ->	(2) ->
333	SELECTOR SWITCH (AUTO/MANUAL)	16JT8101106	->	->	->
334	TRANSFORMER (TR7)	16JT8101101	->	->	->
335	TRANSFORMER (TR1,TR2)	(2) HT01BD113	(2) ->	(2) ->	(2) ->
336	TRANSFORMER (TR5)	HT01AW235	->	->	->
337	TRANSFORMER (TR4)	HK35AA002	->	->	->
338	TERM.BLOCKS(TR2,TR3)(ALLEN-BRADLEY)	(175) 1492-M4	(175) ->	(175) ->	(175) ->
339	TERM.BLOCKS(TB1)(ALLEN-BRADLEY)	(54) 1492-M6	(54) ->	(54) ->	(54) ->
340	MODULE,PIC (PC6400)	16JB010698	->	->	->
341	MODULE,PSIO (SLAVE)	CEPL110189-02	->	->	->
342	MODULE,8 INPUT/OUTPUT	(2) CEPL120773-01	(2) ->	(2) ->	(2) ->
343	CONNECTOR (18-PIN)	(3) HY84EE021	(3) ->	(3) ->	(3) ->
344	CONNECTOR (3-PIN)	HY84EE003	->	->	->
345	CONNECTOR (4-PIN)	HY84EE004	->	->	->
346	RELAY BOARD (6-PACK) (RB1,RB2)	(2) HK35AA001	(2) ->	(2) ->	(2) ->
347	RELAY,2 POLE (CR1-CR9)	(9) 16JT8101102	(9) ->	(9) ->	(9) ->
348	FUSE BLOCK (FB6) (MARATHON)	F30A15P	->	->	->
349A	FUSE (208-240V) (FB6)	HY10NJ005	->	->	->
349B	FUSE (416-480V) (FB6)	HY10NJ005	->	->	->
349C	FUSE (550-600V) (FB6)	HY10NJ005	->	->	->
349D	FUSE (380V 50HZ) (FB6)	HY10NJ005	->	->	->
350	TERM. BLOCK (TERM) (MARATHON)	208	->	->	->
351	STARTER BLOCK (RPL,RP2)	(2) 16JT8101103	(2) ->	(2) ->	(2) ->
352	FUSE BLOCK (F1,F2)	(2) 16JT8101104	(2) ->	(2) ->	(2) ->
353A	FUSE (208-240V) (F1)	(3) FRSR-35	(3) ->	(3) ->	(3) ->
353B	FUSE (416-480V) (F1)	(3) FRS-R20	(3) ->	(3) ->	(3) ->
353C	FUSE (550-600V) (F1)	(3) FRS-R15	(3) ->	(3) ->	(3) ->
353D	FUSE (380V 50HZ) (F1)	(3) FRS-R20	(3) ->	(3) ->	(3) ->
354A	FUSE (208-240V) (F2)	(3) FRS-R20	(3) FRSR-35	(3) ->	(3) ->
354B	FUSE (416-480V) (F2)	(3) FRS-R10	(3) FRS-R20	(3) ->	(3) ->
354C	FUSE (550-600V) (F2)	(3) FRS-R10	(3) FRS-R15	(3) ->	(3) ->
354D	FUSE (380V 50HZ) (F2)	(3) FRS-R20	(3) ->	(3) ->	(3) ->
355	OVERLOADS (OL1,OL2) (FURNAS)	(2) 48DC38AA4	(2) ->	(2) ->	(2) ->
356A	HEATER,OVERLOAD (208-240V) (SP)	(3) HN71JC061	(3) ->	(3) ->	(3) ->
356B	HEATER,OVERLOAD (416-480V) (SP)	(3) HN71JC050	(3) ->	(3) ->	(3) ->
356C	HEATER,OVERLOAD (550-600V) (SP)	(3) HN71JC043	(3) ->	(3) ->	(3) ->
356D	HEATER,OVERLOAD (380V 50HZ) (SP)	(3) HN71JC052	(3) ->	(3) ->	(3) ->
357A	HEATER,OVERLOAD (208-240V) (RP)	(3) HN71JC054	(3) HN71JC061	(3) ->	(3) ->
357B	HEATER,OVERLOAD (416-480V) (RP)	(3) HN71JC041	(3) HN71JC050	(3) ->	(3) ->
357C	HEATER,OVERLOAD (550-600V) (RP)	(3) HN71JC031	(3) HN71JC043	(3) ->	(3) ->
357D	HEATER,OVERLOAD (380V 50HZ) (RP)	(3) HN71JC041	(3) ->	(3) ->	(3) ->
358	CONNECTOR (9-POS.) (AMP)	(2) 350763-4	(2) ->	(2) ->	(2) ->
359	CONNECTOR (6-POS.) (AMP)	(2) 350762-4	(2) ->	(2) ->	(2) ->
360	CIRCUIT BREAKER	(3) HH83ZB001	(3) ->	(3) ->	(3) ->
MISCELLANEOUS GROUP					
361	BOLT PACKAGE,PUMP (ADDING 8 BOLTS)	16JB660016	->	->	->
362AN	ELAPSED TIME INDICATOR (60 HZ)	HK28DG115	->	->	->
362BN	ELAPSED TIME INDICATOR (50 HZ)	HK28DG116	->	->	->
363 N	DCTYL ALCOHDL (1 GALLON/3.7 LTRS)	16B4-1551	->	->	->
364 N	TUBE CLEANING BRUSH (3/4" TUBES)	KC21AH105	->	->	->

PARTS LIST CATALOG

PARTS LIST PAGE: 035

CATALOG NO. : RCD-3516-007 REV. A
SUPERSEDES : RCD-3516-007 REV.

NOTE: SEE "CATALOG NOTES" ON LAST PAGE FOR EXPLANATION OF SYMBOLISH.



SINGLE EFFECT HERMETIC
ABSORPTION LIQUID
CHILLER

16JB

SIZE: 010 068
SERIES: CMX

ITM	PART DESCRIPTION	16JB036	16JB041	16JB047	16JB054
		ALL VOLTAGES	ALL VOLTAGES	ALL VOLTAGES	ALL VOLTAGES
MISCELLANEOUS GROUP					
365	N LITH BROMIDE(30 GAL)NON-INHIBITED	PS16CP030	->	->	->
366	N LITH BROMIDE(30 GAL)CHROMATE-INHI	PS25AL253	->	->	->
367	N LITH BROMIDE(10 GAL)NON-INHIBITED	PS20BL260	->	->	->
368	N LITH BROMIDE(10 GAL)CHROMATE-INHI	PS25AL251	->	->	->
369	N LITH HYDROXIDE(FOR ADJUSTING ALKY)	16JB032-003	->	->	->
370	N GASKET MATL 1/32"THK X 3' X 5'	QR01-37-3532	->	->	->
371	N GASKET MATL 1/16"THK X 3' X 5'	QR01-37-3516	->	->	->
372	N SAMPLE TEST BOTTLE	17M32231	->	->	->
373	N INHIBITOR #2 (36 GRAM) LITH NITRATE	PV07CZ-036	->	->	->
374	N INHIBITOR #2 (180 GRAM)LITH NITRATE	PV07CZ-180	->	->	->
375	N INHIBITOR #4 (4-1 GAL)LITH CHROMATE	PS25FL251	->	->	->
376	N LOCTITE WELD SEALANT	PE01LL021	->	->	->
377	N GALLON CONTAINER (PURGE EVACUATION)	LF51MB001	->	->	->
378	N MOUNTING BRKT.,PURGE EVAC. CONTAINER	X	X	X	X
379	N PURGE EXHAUST TUBE	16HA005-1949	->	->	->
380	N PURGE EXHAUST CONNECTOR	KA70PP050	->	->	->
381	N SOL TEST KIT (CHROMATE INHIBITORS)	KC16HZ010	->	->	->
382	N FILTER & GASKET KIT	16JB660025	->	->	->
383	N FILTER CARTRIDGE	KH39ME600	->	->	->
384	N GASKET (FILTER CARTRIDGE)	16JB680016	->	->	->
385	N TOUCH UP PAINT (SPRAY)	PH23GL012	->	->	->
386	N WELD LEAK SEALANT	19EA680002	->	->	->

PARTS LIST CATALOG

PARTS LIST PAGE: 036

CATALOG NO.: RCD-3516-007 REV. A
SUPERSEDES : RCD-3516-007 REV.

NOTE: SEE "CATALOG NOTES" ON LAST PAGE FOR EXPLANATION OF SYMBOLISM.



SINGLE EFFECT HERMETIC
ABSORPTION LIQUID
CHILLER

16JB

SIZE: 010 068
SERIES: CMX

ITM	PART DESCRIPTION	16JB057	16JB061	16JB068
		ALL VOLTAGES	ALL VOLTAGES	ALL VOLTAGES
GENERAL ASSEMBLY				
1	GASKET,CONDENSER WATER BOX	(2) 16JA0501044	(2) ->	(2) ->
2	GASKET,GENERATOR WATER BOX (STEAM)	(2) 16JA0541034	(2) 16JA0501034	(2) ->
3	GSKT,GENERATOR WATER BOX(HOT WATER)	(2) 16JA0501434	(2) ->	(2) ->
4	GASKET,ABSORBER WATER BOX	(2) 16JA0501404	(2) 16JA0611404	(2) ->
5	GASKET,EVAPORATOR WATER BOX	(2) 16JA0501174	(2) 16JA0611174	(2) ->
6	TUBES,EVAPORATOR (INTREGAL FIN)	(361) 16JA0503002	(392) ->	(432) ->
7	TUBES,ABSORBER (PRIME SURFACE)	(351) 16JA0502992	(378) ->	(423) ->
8	REPLACEMENT TUBE BUNDLE,GEN. (STEAM)	16JB057111-1	16JB061111-1	16JB068111-1
9	TUBES,CONDENSER	(216) 16JA0102992	(216) ->	(216) ->
10	PARTITION PLATE,GENERATOR (STEAM)	16JA0572763	16JA0612763	16JA0682763
	NOTE: REFER TO FIELD EXPERIENCE REPORT #72-2.			
11	PARTITION PLATE,GENERATOR (HOT WATER)	16JA0572293	16JA0612293	16JA0682293
	NOTE: REFER TO FIELD EXPERIENCE REPORT #72-2.			
12	GASKET,GENERATOR PARTITION	16JB0541523	->	->
	NOTE: REFER TO FIELD EXPERIENCE REPORT #72-2.			
13	RETAINER PLATE,GENERATOR PARTITION	16JA0501573	->	->
	NOTE: REFER TO FIELD EXPERIENCE REPORT #72-2.			
14	SCREW,SELF TAPPING (1/4-20 X 1" LG.)	(10) AK92AB170	(10) ->	(10) ->
	NOTE: REFER TO FIELD EXPERIENCE REPORT #72-2.			
15	HEAT EXCHANGER,SOLUTION	16JB054134-1	16JB061134-1	->
16	CHECK VALVE	EC37C2421	->	->
17	VALVE,BALL (1/2")	(4) EP71CQ181	(4) ->	(4) ->
18	VALVE,SOLENOID (FLOTENDER TM)	FF23CM622	->	->
19	COIL	EF19XM120	->	->
20	DIAPHRAGM & SPRING	EF29XM430	->	->
21	VALVE,DIAPHRAGM (1") (PURGE ASY)	EF71ZM006	->	->
22	REPLACEMENT DIAPHRAGM (1")	EF79ZM006	->	->
23	ADAPTER (1")	EM99Z2300	->	->
24	VALVE,DIAPHRAGM (1/2") (PURGE ASY)	EF71CA181	->	->
25	DIAPHRAGM (1/2")	EF79ZA181	->	->
26	FLOAT ASY (PURGE)(STORAGE CHAMBER)	16JB010543	->	->
	NOTE: REFER TO SERVICE BULLETIN A9205.			
27	FLOAT	16JB010332	->	->
28	FLOAT ASY (PURGE)(SEPERATION CHAMBER)	16JB010123	->	->
	NOTE: REFER TO SERVICE BULLETIN A9205.			
29	FLOAT	16JB010332	->	->
30	EDUCTOR ASY(PURGE)(W/OUT CHECK VALVE)	16JB660023	->	->
31	EDUCTOR ASY(PURGE)(WITH CHECK VALVE)	16JB010113	->	->
32	STRAINER ASSEMBLY	16JA010111	->	->
33	GASKET	16JB0101102	->	->
34	DISC	16JA010272	->	->
35	EDUCTOR	16JB660023	->	->
36	REFRIG. FLOAT ASY (LIC)(CYCLE GUARD)	16JB660017	->	->
	NOTE: USED ON MACHINES WITH BOX TYPE FLOAT CHAMBER AND THE TRU-LEVEL SWITCH,SEE BULLETIN A9205.			
37	FLOAT	16JB010352	->	->
38	COVER PLATE (10 HOLES)	16JB010412	->	->
39	GASKET,COVER (10 HOLES)	16JB0101943	->	->
40	SPACER	16JB0103042	->	->
41	GASKET,OUTLET	16JB0104092	->	->
42	SWITCH ASY,FLOAT(SEE BULLETIN A9205)	16JB054243	16JB061243	->
	NOTE: SWITCHES USED WHEN FLOAT CHAMBER IS LOCATED ON END OF MACHINE.			
43	SWITCH ASY,REED	(3) 16JB010302	(3) ->	(3) ->
44	SWITCH ASY,FLOAT(SEE BULLETIN A9205)	16JB054593	16JB061593	->

PARTS LIST CATALOG

PARTS LIST PAGE: 037

CATALOG NO. : RCD-3516-007 REV. A
SUPERSEDES : RCD-3516-007 REV.

NOTE: SEE "CATALOG NOTES" ON LAST PAGE FOR EXPLANATION OF SYMBOLISM.



SINGLE EFFECT HERMETIC
ABSORPTION LIQUID
CHILLER

16JB

SIZE: 010 068
SERIES: CMX

ITEM	PART DESCRIPTION	16JB057	16JB061	16JB068
		ALL VOLTAGES	ALL VOLTAGES	ALL VOLTAGES
GENERAL ASSEMBLY				
	USED ON MACHINES WITH BOX TYPE FLOAT CHAMBER AND THE TRI-LEVEL SWITCH.			
45	SWITCH ASY, REED	(3) 16JB010342	(3) ->	(3) ->
46	COVER, FLOAT BOX (20 HOLES)	16JB0104302	->	->
47	GASKET, FLOAT BOX COVER (20 HOLES)	16JB0104312	->	->
48	GASKET, OUTLET (10 HOLES)	16JB0101943	->	->
49	FLOAT ASY	16JB010603	->	->
50	FLOAT ASY, ANALOG	16JT810788	->	->
51	VALVE, DIAPHRAGM (1/2")	EF71CA181	->	->
52	DIAPHRAGM	EF79ZA181	->	->
53	ADAPTER	EM99AA522	->	->
54	FLOAT ASSEMBLY (W/EF79MZ006 DIAPH)	16JB010-332	->	->
55	SOLENOID VALVE (CYCLE GUARD)	(2) EF23CM183	(2) ->	(2) ->
	NOTE: REFER TO SERVICE BULLETIN A9306.			
56A	COIL, SOLENOID VALVE (CYCLE GUARD)	EF19XM120	->	->
56B	COIL, SOLENOID VALVE (CYCLE GUARD)	EF19XM122	->	->
57A	REPAIR KIT, SOLENOID (FOR EF19XM120)	16JB660013	->	->
57B	REPAIR KIT, SOLENOID (FOR EF19XM122)	16JB660030	->	->
58	LIGHT (CYCLE GUARD)	HY19AD024	->	->
59	SOLENOID VALVE (LIC)	(2) EF23CM183	(2) ->	(2) ->
	NOTE: REFER TO SERVICE BULLETIN A9306.			
60A	COIL, SOLENOID VALVE (LIC)	EF19XM120	->	->
60B	COIL, SOLENOID VALVE (LIC)	EF19XM122	->	->
61A	REPAIR KIT, SOLENOID (FOR EF19XM120)	16JB660013	->	->
61B	REPAIR KIT, SOLENOID (FOR EF19XM122)	16JB660030	->	->
62	"O" RING PACKAGE (QTY OF 60 KK71EM010)	16JT680039	->	->
63	GSKI, EVAPORATOR DIV PLT (25' ROLL)	19XB680001	->	->
64	GSKT, ABSORBER DIV PLT (25' ROLL)	19XB680001	->	->
65	NOZZLE, EVAPORATOR SPRAY	(89) 16JA010-312	(89) ->	(89) ->
66	NOZZLE, ABSORBER SPRAY	(220) 16JA010-322	(264) ->	(264) ->
67	RUPTURE DISC (2"-300 PSI)	X	X	X
68	GASKET (USED ON ITEM # 49)	X	X	X
69	RUPTURE DISC (3"-300 PSI)	X	X	X
70	GASKET (USED ON ITEM # 51)	X	X	X
71	RUPTURE DISC (4"-300 PSI)	EB59LY034	->	->
72	GASKET (USED ON ITEM #53)	(2) CT90YA601	(2) ->	(2) ->
73	FLOAT SWITCH (DIL. LEVEL)(SEE A9205)	16JA010403	->	->
	USED IN EARLY MACHINES WITH SEPARATE LOW LEVEL AND DILUTION SWITCHES.			
74	FLOAT	16JB010332	->	->
75	FLOAT SWITCH (LOW LEVEL)(SEE A9205)	16JA050403	->	->
	USED IN EARLY MACHINES WITH SEPARATE LOW LEVEL AND DILUTION SWITCHES.			
76	FLOAT	16JB010332	->	->
ABSORBER VALVE ASSEMBLY				
77	VALVE, MANUAL DIAPHRAGM 1/2" SSN92321	EF71CQ181	->	->
78	DIAPHRAGM REPLACEMENT KIT	16JB660012	->	->
79	DIAPHRAGM	16JB0101023	->	->
80	GASKET (OUTSIDE)	16JB0101192	->	->
81	GASKET (INSIDE)	16JB0102372	->	->
82	GASKET, ABSORBER VALVE	16JB0322592	->	->
83	"O" RING	KK71ZT005	->	->
84	"O" RING	KK71EM164	->	->
85	PLUG	16JB0321033	->	->
86	BUSHING	16JB0101242	->	->
87	PISTON	16JB0101212	->	->
88	BACKPLATE	16JB0101222	->	->

PARTS LIST CATALOG

PARTS LIST PAGE: 038

CATALOG NO. : RCD-3516-007 REV. A
SUPERSEDES : RCD-3516-007 REV.

NOTE: SEE "CATALOG NOTES" ON LAST PAGE FOR EXPLANATION OF SYMBOLISM.



SINGLE EFFECT HERMETIC
 ABSORPTION LIQUID
 CHILLER

16JB

SIZE: 010 068
 SERIES: CMX

ITM	PART DESCRIPTION	16JB057	16JB061	16JB068
		ALL VOLTAGES	ALL VOLTAGES	ALL VOLTAGES
ABSORBER VALVE ASSEMBLY				
89	SPRING	16JB0321232	->	->
90	LOW LEVEL CONTROL INSTALL. KIT	16JB010015	->	->
	NOTE: USED TO REPLACE ABSORBER VALVE WHICH IS NO LONGER AVAILABLE AND IT IS REQUIRED TO CONVERT TO LOW LEVEL CONTROL.(LLC)			
91 N	VALVE ASSEMBLY	16JB010143	->	->
92 N	WELL,T'STAT	16JB0101722	->	->
93 N	RELAY,CONTROL	HN61ZL010	->	->
94 N	THERMOSWITCH	(2) HH22AG108	(2) ->	(2) ->
95 N	THERMOWELL	(2) 16JB0101722	(2) ->	(2) ->
96 N	LOW LEVEL FLOAT ASY	16JA050403	->	->
97 N	LOW LEVEL CONDUIT COVER	HX082B101	->	->
98 N	LOW LEVEL REED SWITCH	16JA010994	->	->
REFRIGERANT PUMP ASSEMBLY				
99	VERY IMPORTANT:SEE SERVICE BULLETINS A9303 AND A9304	A9303 AND A9304	->	->
	VERY IMPORTANT: BEFORE SELECTING REPLACEMENT PUMPS OR PARTS REFER TO SERVICE BULLETINS A9303 AND A9304.			
100A	REF. PUMP ASY(230/460-3-60)DESIGN #2	16JB054168	->	->
100B	REF. PUMP ASY(575-3-60)DESIGN #2	16JA050164-2	->	->
100C	REF. PUMP ASY(600-3-60)DESIGN #2	16JA050164-4	->	->
100D	REF. PUMP ASY(200/400-3-50)DESIGN #2	16JB0541554	->	->
101A	MOTOR (230/460-3-60)	16JB660032	->	->
101B	MOTOR (575-3-60)	16JA032004	->	->
101C	MOTOR (600-3-60)	16JA032010	->	->
101D	MOTOR (200/400-3-50)	16JB660032	->	->
102	STATOR	NLA	->	->
103	ROTOR	16JA032-003	->	->
104	BEARING	16JB680009	->	->
105	BEARING	16JB680009	->	->
106	SPRING	KT592P010	->	->
107	CLIP	KT592P020	->	->
108A	WEAR RING,MOTOR (230/460-3-60)	KK09XD015	->	->
108B	WEAR RING,MOTOR (575-3-60)	KK09XD015	->	->
108C	WEAR RING,MOTOR (500-3-60)	KK09XD015	->	->
108D	WEAR RING,MOTOR (200/400-3-50)	KK09XD015	->	->
109A	WEAR RING,CASING (230/460-3-60)	KK09XD015	->	->
109B	WEAR RING,CASING (575-3-60)	KK09XD015	->	->
109C	WEAR RING,CASING (600-3-60)	KK09XD015	->	->
109D	WEAR RING,CASING (200/400-3-50)	KK09XD015	->	->
110	GASKET	16JA010002	->	->
111A	IMPELLER (230/460-3-60)	KK75XA535	->	->
111B	IMPELLER (575-3-60)	KK75XA535	->	->
111C	IMPELLER (600-3-60)	KK75XA535	->	->
111D	IMPELLER (200/400-3-60)	KK75XA536	->	->
112	LOCK WASHER,IMPELLER	KT592P021	->	->
113	LOCK SCREW,IMPELLER	KT592P031	->	->
114A	REF. PUMP ASY(230/460-3-60)DESIGN #3	16JB054168	->	->
114B	REF. PUMP ASY(575-3-60)DESIGN #3	16JB054168-1	->	->
114C	REF. PUMP ASY(600-3-60)DESIGN #3	16JB054168-3	->	->
114D	REF. PUMP ASY(200/400-3-50)DESIGN #3	16JB054188	->	->
115A	MOTOR (230/460-3-60)	16JB660032	->	->
115B	MOTOR (575-3-60)	16JB660034	->	->
115C	MOTOR (600-3-60)	16JB660034	->	->
115D	MOTOR (200/400-3-60)	16JB660032	->	->
116A	STATOR (230/460-3-60)	16JB660008	->	->

PARTS LIST CATALOG

PARTS LIST PAGE: 039

CATALOG NO. : RCD-3516-007 REV. A
 SUPERSEDES : RCD-3516-007 REV.

NOTE: SEE "CATALOG NOTES" ON LAST PAGE FOR EXPLANATION OF SYMBOLISM.



SINGLE EFFECT HERMETIC
ABSORPTION LIQUID
CHILLER

16JB

SIZE: 010 068
SERIES: CMX

ITM	PART DESCRIPTION	16JB057	16JB061	16JB068	
		ALL VOLTAGES	ALL VOLTAGES	ALL VOLTAGES	
REFRIGERANT PUMP ASSEMBLY					
116B	STATOR (575-3-60)	NLA	16JB660009	->	
116C	STATOR (600-3-60)	16JB660034	->	->	
116D	STATOR (200/400-3-60)	16JB660008	->	->	
117A	ROTOR (230/460-3-60)	16JB680005	->	->	
117B	ROTOR (575-3-60)	16JB660034	->	->	
117C	ROTOR (600-3-60)	16JB680005	->	->	
117D	ROTOR (200/400-3-50)	16JB660034	->	->	
118	BEARING	16JB680006	->	->	
119	BEARING	16JB680006	->	->	
120	SPRING	KT592P010	->	->	
121A	WEAR RING,MOTOR (230/460-3-60)	KK09XD020	->	->	
121B	WEAR RING,MOTOR (575-3-60)	KK09XD018	KK09XD020	->	
121C	WEAR RING,MOTOR (600-3-60)	KK09XD020	->	->	
121D	WEAR RING,MOTOR (200/400-3-50)	KK09XD020	->	->	
122A	WEAR RING,CASING (230/460-3-60)	KK09XD015	->	->	
122B	WEAR RING,CASING (575-3-60)	KK09XC042	KK09XD015	->	
122C	WEAR RING,CASING (600-3-60)	KK09XD015	->	->	
122D	WEAR RING,CASING (200/400-3-50)	KK09XD015	->	->	
123	GASKET	16JA010002	->	->	
124A	IMPELLER (230/460-3-60)	KK75XA535	->	->	
124B	IMPELLER (575-3-60)	KK75XA539	KK75XA535	->	
124C	IMPELLER (600-3-60)	KK75XA535	->	->	
124D	IMPELLER (200/400-3-50)	KK75XA536	->	->	
125	LOCK WASHER,IMPELLER	KT592P021	->	->	
126	LOCK SCREW,IMPELLER	KT592P031	->	->	
127A	REF. PUMP ASY(230/460-3-60)DESIGN #4	16JB054118	->	->	
127B	REF. PUMP ASY(575-3-60) DESIGN #4	16JB054118-1	->	->	
127C	REF. PUMP ASY(600--3-60)DESIGN #4	16JB054118-6	->	->	
127D	REF. PUMP ASY(200/400-3-50)DESIGN #4	16JB054128	->	->	
128A	MOTOR (230/460-3-60)	16JB660032	->	->	
128B	MOTOR (575-3-60)	16JB660034	->	->	
128C	MOTOR (600-3-60)	16JB660034	->	->	
128D	MOTOR (200/400-3-50)	16JB660032	->	->	
129	BEARING	16JT680011	->	->	
130	BEARING	16JT680011	->	->	
131	SPRING	16JT680015	->	->	
132A	WEAR RING,MOTOR (230/460-3-60)	KK09XD020	->	->	
132B	WEAR RING,MOTOR (575-3-60)	KK09XD020	->	->	
132C	WEAR RING,MOTOR (600-3-60)	KK09XD015	->	->	
132D	WEAR RING,MOTOR (200/400-3-50)	KK09XD020	->	->	
133A	WEAR RING,CASING (230/460-3-60)	KK09XD015	->	->	
133B	WEAR RING,CASING (575-3-60)	KK09XD015	->	->	
133C	WEAR RING,CASING (600-3-60)	KK09XD015	->	->	
133D	WEAR RING,CASING (200/400-3-50)	KK09XD015	->	->	
134	GASKET	16JT680009	->	->	
135A	IMPELLER (230/460-3-60)	KK75XA535	->	->	
135B	IMPELLER (575-3-60)	KK75XA535	->	->	
135C	IMPELLER (600-3-60)	KK75XA535	->	->	
135D	IMPELLER (200/400-3-50)	KK75XA536	->	->	
136	LOCK WASHER,IMPELLER	KT592P021	->	->	
137	LOCK SCREW,IMPELLER	KT592P031	->	->	
NOTE: ALL EXPLOSION PROOF PUMPS LISTED BELOW ARE 230/460-3-60.					
138	REF. PUMP (EXPLOSION PROOF)DESIGN #2	16JA050164-3	->	->	
139	REF. PUMP (EXPLOSION PROOF)DESIGN #3	16JB054168-2	->	->	

PARTS LIST CATALOG

PARTS LIST PAGE: 040

CATALOG NO.: RCD-3516-007 REV. A
SUPERSEDES : RCD-3516-007 REV.

NOTE: SEE "CATALOG NOTES" ON LAST PAGE FOR EXPLANATION OF SYMBOLISM.



SINGLE EFFECT HERMETIC
ABSORPTION LIQUID
CHILLER

16JB

SIZE: 010 068
SERIES: CMX

ITM	PART DESCRIPTION	16JB057	16JB061	16JB068
		ALL VOLTAGES	ALL VOLTAGES	ALL VOLTAGES
REFRIGERANT PUMP ASSEMBLY				
140	REF. PUMP (EXPLOSION PROOF)DESIGN #4 SOLUTION PUMP ASSEMBLY	16JB054118-2	->	->
141	VERY IMPORTANT!SEE SERVICE BULLETINS A9303 AND A9304 VERY IMPORTANT! BEFORE SELECTING REPLACEMENT PUMPS OR PARTS REFER TO SERVICE BULLETINS A9303 AND A9304.	A9303 AND A9304	->	->
142A	SOL. PUMP ASY(230/460-3-60)DESIGN #2	16JB054178	->	->
142B	SOL. PUMP ASY(575-3-60)DESIGN #2	16JA050174-2	->	->
142C	SOL. PUMP ASY(600-3-60)DESIGN #2	16JA050174-4	->	->
142D	SOL. PUMP ASY(200/400-3-50)DESIGN #2	16JB0541564	->	->
143A	MOTOR (230/460-3-60)	16JB660032	->	->
143B	MOTOR (575-3-60)	16JA032004	->	->
143C	MOTOR (600-3-60)	16JA032010	->	->
143D	MOTOR (200/400-3-50)	16JB660032	->	->
144	STATOR	NLA	->	->
145	ROTOR	16JA032-003	->	->
146	BEARING	16JB680009	->	->
147	BEARING	16JB680009	->	->
148	SPRING	KT592P010	->	->
149	CLIP	KT592P020	->	->
150A	WEAR RING,MOTOR (230/460-3-60)	KK09XD015	->	->
150B	WEAR RING,MOTOR (575-3-60)	KK09XD015	->	->
150C	WEAR RING,MOTOR (600-3-60)	KK09XD015	->	->
150D	WEAR RING,MOTOR (200/400-3-50)	KK09XD015	->	->
151A	WEAR RING,CASING (230/460-3-60)	KK09XD015	->	->
151B	WEAR RING,CASING (575-3-60)	KK09XD015	->	->
151C	WEAR RING,CASING (600-3-60)	KK09XD015	->	->
151D	WEAR RING,CASING (200/400-3-50)	KK09XD015	->	->
152	GASKET	16JA010002	->	->
153A	IMPELLER (230/460-3-60)	KK75XA537	->	->
153B	IMPELLER (575-3-60)	KK75XA537	->	->
153C	IMPELLER (600-3-60)	KK75XA537	->	->
153D	IMPELLER (200/400-3-50)	KK75XA538	->	->
154	LOCK WASHER,IMPELLER	KT592P021	->	->
155	LOCK SCREW,IMPELLER	KT592P031	->	->
156A	SOL. PUMP ASY(230/460-3-60)DESIGN #3	16JB054178	->	->
156B	SOL. PUMP ASY(575-3-60)DESIGN #3	16JB054178-1	->	->
156C	SOL. PUMP ASY(600-3-60)DESIGN #3	16JB054178-3	->	->
156D	SOL. PUMP ASY(200/400-3-50)DESIGN #3	16JB054158	->	->
157A	MOTOR (230/460-3-60)	16JB660032	->	->
157B	MOTOR (575-3-60)	16JB660034	->	->
157C	MOTOR (600-3-60)	16JB660034	->	->
157D	MOTOR (200/400-3-50)	16JB660032	->	->
158A	STATOR (230/460-3-60)	16JB660008	->	->
158B	STATOR (575-3-60)	16JB660009	->	->
158C	STATOR (600-3-60)	16JB660034	->	->
158D	STATOR (200/400-3-50)	16JB660008	->	->
159A	ROTOR (230/460-3-60)	16JB680005	->	->
159B	ROTOR (575-3-60)	16JB680005	->	->
159C	ROTOR (600-3-60)	16JB680005	->	->
159D	ROTOR (200/400-3-50)	16JB680005	->	->
160	BEARING	16JB680006	->	->
161	BEARING	16JB680006	->	->
162	SPRING	KT592P010	->	->
163A	WEAR RING,MOTOR (230/460-3-60)	KK09XD020	->	->

PARTS LIST CATALOG

PARTS LIST PAGE: 041

CATALOG NO. : RCD-3516-007 REV. A
SUPERSEDES : RCD-3516-007 REV.

NOTE: SEE "CATALOG NOTES" ON LAST PAGE FOR EXPLANATION OF SYMBOLISM.



SINGLE EFFECT HERMETIC
ABSORPTION LIQUID
CHILLER

16JB

SIZE: 010 068
SERIES: CMX

ITM	PART DESCRIPTION	16JB057	16JB061	16JB068
		ALL VOLTAGES	ALL VOLTAGES	ALL VOLTAGES
SOLUTION PUMP ASSEMBLY				
163B	WEAR RING,MOTOR (575-3-60)	KK09XD020	->	->
163C	WEAR RING,MOTOR (600-3-60)	KK09XD020	->	->
163D	WEAR RING,MOTOR (200/400-3-50)	KK09XD020	->	->
164A	WEAR RING,CASING (230/460-3-60)	KK09XD015	->	->
164B	WEAR RING,CASING (575-3-60)	KK09XD015	->	->
164C	WEAR RING,CASING (600-3-60)	KK09XD015	->	->
164D	WEAR RING,CASING (200/400-3-50)	KK09XD015	->	->
165	GASKET	16JA010002	->	->
166A	IMPELLER (230/460-3-60)	KK75XA537	->	->
166B	IMPELLER (575-3-60)	KK75XA537	->	->
166C	IMPELLER (600-3-60)	KK75XA537	->	->
166D	IMPELLER (200/400-3-50)	KK75XA538	->	->
167	LOCK WASHER,IMPELLER	KT592P021	->	->
168	LOCK SCREW,IMPELLER	KT592P031	->	->
169A	SOL. PUMP ASY(230/460-3-60)DESIGN #4	16JB054148	->	->
169B	SOL. PUMP ASY(575-3-60)DESIGN #4	16JB054148-1	->	->
169C	SOL. PUMP ASY(600-3-60)DESIGN #4	16JB054148-6	->	->
169D	SOL. PUMP ASY(200/400-3-50)DESIGN #4	16JB054158	->	->
170A	MOTOR (230/460-3-60)	16JB660032	->	->
170B	MOTOR (575-3-60)	16JB660034	->	->
170C	MOTOR (600-3-60)	16JB660034	->	->
170D	MOTOR (200/400-3-50)	16JB660032	->	->
171	BEARING	16JT680011	->	->
172	BEARING	16JT680011	->	->
173	SPRING	16JT680015	->	->
174A	WEAR RING,MOTOR (230/460-3-60)	KK09XD020	->	->
174B	WEAR RING,MOTOR (575-3-60)	KK09XD020	->	->
174C	WEAR RING,MOTOR (600-3-60)	KK09XD020	->	->
174D	WEAR RING,MOTOR (200/400-3-50)	KK09XD020	->	->
175A	WEAR RING,CASING (230/460-3-60)	KK09XD015	->	->
175B	WEAR RING,CASING (575-3-60)	KK09XD015	->	->
175C	WEAR RING,CASING (600-3-60)	KK09XD015	->	->
175D	WEAR RING,CASING (200/400-3-50)	KK09XD015	->	->
176	GASKET	16JT680009	->	->
177A	IMPELLER (230/460-3-60)	KK75XA537	->	->
177B	IMPELLER (575-3-60)	KK75XA537	->	->
177C	IMPELLER (600-3-60)	KK75XA537	->	->
177D	IMPELLER (200/400-3-50)	KK75XA538	->	->
178	LOCK WASHER,IMPELLER	KT592P021	->	->
179	LOCK SCREW,IMPELLER	KT592P031	->	->
NOTE: ALL EXPLOSION PROOF PUMPS LISTED BELOW ARE 230/460-3-60.				
180	SOL. PUMP (EXPLOSION PROOF)DESIGN #2	16JA050174-3	->	->
181	SOL. PUMP (EXPLOSION PROOF)DESIGN #3	16JB054178-2	->	->
182	SOL. PUMP (EXPLOSION PROOF)DESIGN #4	16JB054148-2	->	->
ELECTRONIC STEAM VALVE				
183A	ELEC. STEAM VALVE ASY(CAGED 2-1/2)	16JB010328	->	->
183B	ELEC. STEAM VALVE ASY(CAGED 3A)	16JB010338	->	->
183C	ELEC. STEAM VALVE ASY(CAGED 3B)	16JB010348	->	->
183D	ELEC. STEAM VALVE ASY(CAGED 4A)	16JB010358	->	->
183E	ELEC. STEAM VALVE ASY(CAGED 4B)	16JB010368	->	->
184	MOTOR (HONEYWELL)	SEE BULLETIN #A9308	->	->
185	LINKAGE (HONEYWELL)	EF09B2017	->	->
186	AUXILIARY SWITCH (HONEYWELL)	EF09ZB350	->	->
187A	O-RING,CAGE (2-1/2A) (HONEYWELL)	(2) KK71E1149	(2) ->	(2) ->

PARTS LIST CATALOG

PARTS LIST PAGE: 042

CATALOG NO.: RCD-3516-007 REV. A
SUPERSEDES : RCD-3516-007 REV.

NOTE: SEE "CATALOG NOTES" ON LAST PAGE FOR EXPLANATION OF SYMBOLISM.



SINGLE EFFECT HERMETIC
ABSORPTION LIQUID
CHILLER

16JB

SIZE: 010 068
SERIES: CMX

ITM	PART DESCRIPTION	16JB057	16JB061	16JB068
		ALL VOLTAGES	ALL VOLTAGES	ALL VOLTAGES
ELECTRONIC STEAM VALVE				
187B	O-RING,CAGE (3A & 3B) (HONEYWELL)	(2) KK71EL152	(2) ->	(2) ->
187C	O-RING,CAGE (4A & 4B) (HONEYWELL)	(2) KK71EL156	(2) ->	(2) ->
188A	GASKET,BONNET (2-1/2A) (HONEYWELL)	EF69ZB542	->	->
188B	GASKET,BONNET (3A & 3B) (HONEYWELL)	EF69ZB602	->	->
188C	GASKET,BONNET (4A & 4B) (HONEYWELL)	EF69ZB712	->	->
189A	CAGE (2-1/2A) (HONEYWELL)	EF69ZB544	->	->
189B	CAGE (3A) (HONEYWELL)	EF69ZB604	->	->
189C	CAGE (3B) (HONEYWELL)	EF69ZB605	->	->
189D	CAGE (4A) (HONEYWELL)	EF69ZB714	->	->
189E	CAGE (4B) (HONEYWELL)	EF69ZB715	->	->
190A	O-RING,PLUG (2-1/2A) (HONEYWELL)	KK71EL230	->	->
190B	O-RING,PLUG (3A & 3B) (HONEYWELL)	KK71EL234	->	->
190C	O-RING,PLUG (4A & 4B) (HONEYWELL)	KK71EL242	->	->
191A	PLUG & STEM (2-1/2A) (HONEYWELL)	EF69ZB541	->	->
191B	PLUG & STEM (3A & 3B) (HONEYWELL)	EF69ZB601	->	->
191C	PLUG & STEM (4A & 4B) (HONEYWELL)	EF69ZB711	->	->
192	PACKING (HONEYWELL)	EF69ZB543	->	->
193A	ELECTRONIC CONTROLS KIT (60HZ) (B-C)	16JB660027	->	->
193B	ELECTRONIC CONTROLS KIT (50HZ) (B-C)	16JB660028	->	->
KIT USED TO CONVERT FROM HONEYWELL TO BARBER-COLMAN CAPACITY CONTROL.				
194A	MOTOR,ACTUATOR (60HZ)	16JB680050	->	->
194B	MOTOR,ACTUATOR (50HZ)	16JB680051	->	->
195	SENSOR,CHILLED WATER	16JB680052	->	->
196	CONTROLLER,TEMPERATURE	16JB680053	->	->
197	ADJUSTER,TEMP. SET POINT	16JB680054	->	->
198A	ELEC. STEAM VALVE ASY (CAGED 5A)	16JB010378	->	->
198B	ELEC. STEAM VALVE ASY (CAGED 5B)	16JB010388	->	->
198C	ELEC. STEAM VALVE ASY (CAGED 6A)	16JB010408	->	->
199	MOTOR (HONEYWELL)	SEE BULLETIN #A9308	->	->
200	LINKAGE (HONEYWELL)	EF09BZ017	->	->
201	AUXILIARY SWITCH (HONEYWELL)	NSS	->	->
202	O-RING,CAGE	NSS	->	->
203A	GASKET,BONNET (5A & 5B) (HONEYWELL)	EF69ZB752	->	->
203B	GASKET,BONNET (6A) (HONEYWELL)	EF69ZB791	->	->
204	CAGE (HONEYWELL)	EF69ZB754	->	->
205	O-RING,PLUG (HONEYWELL)	NSS	->	->
206	PLUG & STEM (HONEYWELL)	EF69ZB751	->	->
207	PACKING (HONEYWELL)	EF69ZB543	->	->
208A	ELECTRONIC CONTROLS KIT (60HZ)	16JB660027	->	->
208B	ELECTRONIC CONTROLS KIT (50HZ)	16JB660028	->	->
KIT USED TO CONVERT FROM HONEYWELL TO BARBER-COLMAN CAPACITY CONTROL.				
209A	MOTOR,ACTUATOR (60HZ)	16JB680050	->	->
209B	MOTOR,ACTUATOR (50HZ)	16JB680051	->	->
210	SENSOR,CHILLED WATER	16JB680052	->	->
211	CONTROLLER,TEMPERATURE	16JB680053	->	->
212	ADJUSTER,TEMP. SET POINT	16JB680054	->	->
213A	ELEC. BUTTERFLY STEAM VALVE (2C)	16JB010221 NLA	->	->
213B	ELEC. BUTTERFLY STEAM VALVE (2-1/2C)	16JB012221 NLA	->	->
213C	ELEC. BUTTERFLY STEAM VALVE (3C)	16JB014221 NLA	->	->
213D	ELEC. BUTTERFLY STEAM VALVE (4C)	16JB018221 NLA	->	->
213E	ELEC. BUTTERFLY STEAM VALVE (5C)	16JB010398	->	->
214	MOTOR (HONEYWELL)	SEE BULLETIN #A9308	->	->
215	SWITCH (HONEYWELL)	EF09ZB350	->	->
216A	VALVE (2C) (HONEYWELL)	16JB0102232	->	->

PARTS LIST CATALOG

PARTS LIST PAGE: 043

CATALOG NO.: RCD-3516-007 REV. A
SUPERSEDES : RCD-3516-007 REV.

NOTE: SEE "CATALOG NOTES" ON LAST PAGE FOR EXPLANATION OF SYMBOLISM.



SINGLE EFFECT HERMETIC
ABSORPTION LIQUID
CHILLER

16JB

SIZE: 010 068
SERIES: CMX

ITM	PART DESCRIPTION	16JB057	16JB061	16JB068
		ALL VOLTAGES	ALL VOLTAGES	ALL VOLTAGES
ELECTRONIC STEAM VALVE				
216B	VALVE (2-1/2C) (HONEYWELL)	16JB0102242	->	->
216C	VALVE (3C) (HONEYWELL)	16JB0102252	->	->
216D	VALVE (4C) (HONEYWELL)	16JB0102262	->	->
216E	VALVE (5C) (HONEYWELL)	16JB0102272	->	->
217A	TAPER PINS (2C,2-1/2C & 3C) (HON	(2) 16JB010002	(2) ->	(2) ->
217B	TAPER PINS (4C) (HONEYWELL)	(2) 16JB010008	(2) ->	(2) ->
217C	TAPER PINS (5C) (HONEYWELL)	(2) 16JB010007	(2) ->	(2) ->
218	LINK (HONEYWELL)	16JB010005	->	->
219	KEY (4C & 5C) (HONEYWELL)	16JB010006	->	->
220A	PACKING SET (2C,2-1/2C,3C) (HONEYW	16JB010013	->	->
220B	PACKING SET (4C & 5C) (HONEYWELL)	16JB010014	->	->
221A	V-RINGS (2C,2-1/2C,3C) (HONEYWEL	(8) 16JB010013	(8) ->	(8) ->
221B	V-RINGS (4C & 5C) (HONEYWELL)	(8) 16JB010014	(8) ->	(8) ->
222A	MALE ADAPTERS (2C,2-1/2C,3C)(HON	(2) 16JB680059	(2) ->	(2) ->
222B	MALE ADAPTERS (4C & 5C) (HONEYWE	(2) 16JB010009	(2) ->	(2) ->
223A	ELECTRONIC CONTROLS KIT (60HZ)	16JB660027	->	->
223B	ELECTRONIC CONTROLS KIT (50HZ)	16JB660028	->	->
KIT USED TO CONVERT FROM HONEYWELL TO BARBER-COLMAN CAPACITY CONTROL.				
224A	MOTOR,ACTUATOR (60HZ)	16JB680050	->	->
224B	MOTOR,ACTUATOR (50HZ)	16JB680051	->	->
225	SENSOR,CHILLED WATER	16JB680052	->	->
226	CONTROLLER,TEMPERATURE	16JB680053	->	->
227	ADJUSTER,TEMP. SET POINT	16JB680054	->	->
PNEUMATIC STEAM VALVE				
228A	PNEU. CAGED STEAM VALVE (2-1/2A)	EF61MB012	->	->
228B	PNEU. CAGED STEAM VALVE (3A)	EF61MB013	->	->
228C	PNEU. CAGED STEAM VALVE (3B)	EF61JB013	->	->
228D	PNEU. CAGED STEAM VALVE (4A)	EF61MB014	->	->
228E	PNEU. CAGED STEAM VALVE (4B)	EF61JB014	->	->
229	ACTUATOR	EF69ZB015	->	->
230	DIAPHRAGM	16JA010022	->	->
231	PILOT POSITIONER	EF69ZB025	->	->
232	SPRING,PILOT POSITIONER	16HA005022	->	->
233A	O-RING,CAGE (2-1/2A)	(2) KK71EL149	(2) ->	(2) ->
233B	O-RING,CAGE (3A & 3B)	(2) KK71EL152	(2) ->	(2) ->
233C	O-RING,CAGE (4A & 4B)	(2) KK71EL156	(2) ->	(2) ->
234A	GASKET,BONNET (2-1/2A)	EF69ZB542	->	->
234B	GASKET,BONNET (3A & 3B)	EF69ZB602	->	->
234C	GASKET,BONNET (4A & 4B)	EF69ZB712	->	->
235A	CAGE (2-1/2A)	EF69ZB544	->	->
235B	CAGE (3A)	EF69ZB604	->	->
235C	CAGE (3B)	EF69ZB605	->	->
235D	CAGE (4A)	EF69ZB714	->	->
235E	CAGE (4B)	EF69ZB715	->	->
236A	O-RING,PLUG (2-1/2A)	KK71EL230	->	->
236B	O-RING,PLUG (3A & 3B)	KK71EL234	->	->
236C	O-RING,PLUG (4A & 4B)	KK71EL242	->	->
237A	PLUG & STEM (2-1/2A)	EF69ZB541	->	->
237B	PLUG & STEM (3A & 3B)	EF69ZB601	->	->
237C	PLUG & STEM (4A & 4B)	EF69ZB711	->	->
238	PACKING	EF69ZB543	->	->
239A	PNEU. BUTTERFLY STEAM VALVE (2C)	16JB010201	->	->
239B	PNEU. BUTTERFLY STEAM VALVE (2-1/2C)	16JB012201	->	->
239C	PNEU. BUTTERFLY STEAM VALVE (3C)	16JB014201	->	->

PARTS LIST CATALOG

PARTS LIST PAGE: 044

CATALOG NO.: RCD-3516-007 REV. A
SUPERSEDES : RCD-3516-007 REV.

NOTE: SEE "CATALOG NOTES" ON LAST PAGE FOR EXPLANATION OF SYMBOLISM.



SINGLE EFFECT HERMETIC
ABSORPTION LIQUID
CHILLER

16JB

SIZE: 010 068
SERIES: CMX

ITM	PART DESCRIPTION	16JB057		16JB061		16JB068	
		ALL VOLTAGES		ALL VOLTAGES		ALL VOLTAGES	
PNEUMATIC STEAM VALVE							
239D	PNEU. BUTTERFLY STEAM VALVE (4C)		16JB018201		->		->
239E	PNEU. BUTTERFLY STEAM VALVE (5C)		16JB010294		->		->
240	ACTUATOR		16JB0102312		->		->
241	DIAPHRAGM		16JB010012		->		->
242A	VALVE (2C)		16JB0102182		->		->
242B	VALVE (2-1/2C)		16JB0102192		->		->
242C	VALVE (3C)		16JB0102202		->		->
242D	VALVE (4C)		16JB0102212		->		->
242E	VALVE (5C)		16JB0102222		->		->
243A	TAPER PINS (2C, 2-1/2C, 3C)	(2)	16JB010002	(2)	->	(2)	->
243B	TAPER PINS (4C)	(2)	16JB010008	(2)	->	(2)	->
243C	TAPER PINS (5C)	(2)	16JB010007	(2)	->	(2)	->
244	LINK		16JB010005		->		->
245	KEY (4C & 5C)		16JB010006		->		->
246A	PACKING SET (2C, 2-1/2C, 3C)		16JB010013		->		->
246B	PACKING SET (4C & 5C)		16JB010014		->		->
247A	"V" RINGS (2C, 2-1/2C, 3C)		16JB010013		->		->
247B	"V" RINGS (4C & 5C)	(8)	16JB010014	(8)	->	(8)	->
248A	MALE ADAPTERS (2C, 2-1/2C, 3C)	(2)	16JB680059	(2)	->	(2)	->
248B	MALE ADAPTERS (4C & 5C)	(2)	16JB010009	(2)	->	(2)	->
MECHANICAL CONTROLS GROUP							
249A	CONV. KIT, FROM PNEU. TO ELEC. (60HZ)		16JB660027		->		->
249B	CONV. KIT, FROM PNEU. TO ELEC. (50HZ)		16JB660028		->		->
250	REED SWITCH (5")(PURGE SEP. CHAMBER)		16JB010302		->		->
251	REED SWITCH (7-1/2")(PURGE STORAGE)		16JB010362		->		->
252	REED SWITCH (16-1/8")(DILUTION LEVEL)		16JA010794-1		->		->
253	REED SWITCH (10-1/8")(LOW LEVEL)		16JA010994		->		->
254A	TRANSFORMER (190/208/230/380/460V)		16JA010222		->		->
254B	TRANSFORMER (600V)		NLA		->		->
256	SWITCH (SPST)	(3)	HR53ZA035	(3)	->	(3)	->
257	TOGGLE SWITCH (SPDT)		HR53VR026		->		->
258	SWITCH (SPDT)		HR54ZZ001		->		->
259	DOOR LOCK (CORBIN-15760XC45)		PROCURE LOCALLY		->		->
260	DISCONNECT SWITCH		HR61EZ010		->		->
261	TEMP CONTROLLER-LTCD (20" ELEMENT)		HH22AG106		->		->
262	RESET, PUSH BUTTON	(2)	HR73AZ020	(2)	->	(2)	->
263	LIGHT, YELLOW		HY19AZ004		->		->
264	LIGHT, RED		HY19AZ002		->		->
265	RELAY	(4)	HN61KL031	(4)	->	(4)	->
266A	INDICATOR, ELAPSED TIME (60 HZ)		19EA660035		->		->
266B	INDICATOR, ELAPSED TIME (50 HZ)		HK28TA116		->		->
268	TEMPERATURE CONTROLLER	(2)	HH22AG108	(2)	->	(2)	->
269	FUSE HOLDER		HKP-HH		->		->
270	FUSE (BUSSMAN-GLH-10A)		X		X		X
271	TEMPERATURE SENSOR (ELEC. ONLY)		HH19AZ031		->		->
272	CONTROL POINT ADJUSTER (ELEC. ONLY)		HT24AZ115		->		->
273	TEMPERATURE CONTROLLER (PNEU. ONLY)		16JB680056		->		->
274	PRESSURE GAUGE (PNEU. ONLY)		PROCURE LOCALLY		->		->
275	SWITCH (ELECTRONIC CONTROLLED PNEU.)		HL73DC009		->		->
276	RESET SWITCH (CUTLER HAMMER-7583K8)		PROCURE LOCALLY		->		->
277	TUBING (IMPERIAL EASTMAN-44P)		PROCURE LOCALLY		->		->
278	CONNECTOR (FOR IT # 290)	(7)	DC05CA053	(7)	->	(7)	->
279	TEMPERATURE SENSOR		HL15ME110		->		->
280	SEPARABLE WELL (FOR ITEM # 278)		HL79MZ100		->		->

PARTS LIST CATALOG

PARTS LIST PAGE: 045

CATALOG NO.: RCD-3516-007 REV. A
SUPERSEDES : RCD-3516-007 REV.

NOTE: SEE "CATALOG NOTES" ON LAST PAGE FOR EXPLANATION OF SYMBOLISM.



SINGLE EFFECT HERMETIC
ABSORPTION LIQUID
CHILLER

16JB

SIZE: 010 068
SERIES: CMX

ITM	PART DESCRIPTION	16JB057	16JB061	16JB068	
		ALL VOLTAGES	ALL VOLTAGES	ALL VOLTAGES	
MECHANICAL CONTROLS GROUP					
281	SWITCH (LO-SIDE,PRESS. ACTUATED)	HK02AC015	->	->	
282	STARTER (30 AMP)	(2) HN03LC510	(2) ->	(2) ->	
283 N	CONTACT KIT	(6) HN79LZ120	(6) ->	(6) ->	
284 N	OVERLOAD RELAY	(2) HN68JX003	(2) ->	(2) ->	
285 N	COIL	(2) HN72LZ251	(2) ->	(2) ->	
286	CONTACTOR (25 AMP)(A.O.SMITH)	(2) HN53CB115A	(2) ->	(2) ->	
287 N	CONTACT KIT	(6) HN79CZ030	(6) ->	(6) ->	
288 N	OVERLOAD RELAY	(2) HN68JX003	(2) ->	(2) ->	
289 N	COIL	(2) HN72CZ101	(2) ->	(2) ->	
290	CONTACTOR (25 AMP)(GENERAL ELECTRIC)	(2) HN53CB115B	(2) ->	(2) ->	
291 N	CONTACT KIT	(2) HN79HZ206	(2) ->	(2) ->	
292 N	OVERLOAD RELAY	(2) HN68JX003	(2) ->	(2) ->	
293 N	COIL	(2) HN72HZ224	(2) ->	(2) ->	
294	CONTACTOR (25 AMP)(ARROW HART/HEGEMA)	(2) HN53CB115C	(2) ->	(2) ->	
295 N	CONTACT KIT	(6) HN79LZ122	(6) ->	(6) ->	
296 N	OVERLOAD RELAY	(2) HN68JX003	(2) ->	(2) ->	
297 N	COIL	(2) NOT STOCKED	(2) ->	(2) ->	
298	CONTACTOR (25 AMP)(CUTLER HAMMER)	(2) HN53CB115D	(2) ->	(2) ->	
299 N	CONTACT KIT	(6) HN79AZ003	(6) ->	(6) ->	
300 N	OVERLOAD RELAY	(2) HN68JX003	(2) ->	(2) ->	
301 N	COIL	(2) HN53CB115	(2) ->	(2) ->	
302	CONTACTOR (40 AMP)(A.O.SMITH)	(2) HN53CD115A	(2) ->	(2) ->	
303 N	CONTACT KIT	(6) HN79CZ040	(6) ->	(6) ->	
304 N	OVERLOAD RELAY	(2) HN68JX003	(2) ->	(2) ->	
305 N	COIL	(2) HN72CZ101	(2) ->	(2) ->	
306	CONTACTOR (40 AMP)(GENERAL ELECTRIC)	(2) HN53CD115B	(2) ->	(2) ->	
307 N	CONTACT KIT	(2) HN79HZ209	(2) ->	(2) ->	
308 N	OVERLOAD RELAY	(2) HN68JX003	(2) ->	(2) ->	
309 N	COIL	(2) HN72HZ224	(2) ->	(2) ->	
310	CONTACTOR (40 AMP)(CUTLER HAMMER)	(2) HN53CD115D	(2) ->	(2) ->	
311 N	CONTACT KIT	(6) HN79AZ004	(6) ->	(6) ->	
312 N	OVERLOAD RELAY	(2) HN68JX003	(2) ->	(2) ->	
313 N	COIL	(2) HN72AZ341	(2) ->	(2) ->	
PIC CONTROLS GROUP					
314	THERMISTOR (5K)	(11) HH79NZ047	(11) ->	(11) ->	
315	THERMISTOR (100K)	(2) HH79NZ070	(2) ->	(2) ->	
316	TRANSDUCER,LOW PRESSURE	HK05YZ002	->	->	
317	FLOAT SWITCH (ANALOG)	16JT810788	->	->	
318	FLOAT SWITCH (REED SWITCH)	16JT8571090	->	->	
319	TEMPERATURE SWITCH,HIGH	11B06-46	->	->	
320	TEMPERATURE SWITCH,LOW	TNSC114Y	->	->	
321	SENSOR CABLE,THERMISTOR	HH79NZ072	->	->	
322	SENSOR CABLE,TRANSDUCER	16JT810798	->	->	
323A	CONTROL PANEL,PIC (208-240/3/60)	16JB010758	->	->	
323B	CONTROL PANEL,PIC (416-480/3/60)	16JB010768	->	->	
323C	CONTROL PANEL,PIC (550-600/3/60)	16JB010778	->	->	
323D	CONTROL PANEL,PIC (380/3/50)	16JB010788	->	->	
324	FUSED DISCON. (FDC)(TELEMECANIQUE)	D1053	->	->	
325A	FUSE (208-240V) (FDC)	(3) FRSR-60	(3) ->	(3) ->	
325B	FUSE (416-480V) (FDC)	(3) FRS-R30	(3) ->	(3) ->	
325C	FUSE (550-600V) (FDC)	(3) FRS-R25	(3) ->	(3) ->	
325D	FUSE (380V-50HZ) (FDC)	(3) FRS-R30	(3) ->	(3) ->	
326	HANDLE,NEMA 12 (TELEMECANIQUE)	D115F4	->	->	
327	COOLING FAN KIT (DAYTON)	4C550/4C551/5C032	->	->	

PARTS LIST CATALOG

PARTS LIST PAGE: 046

CATALOG NO.: RCD-3516-007 REV. A
SUPERSEDES : RCD-3516-007 REV.

NOTE: SEE "CATALOG NOTES" ON LAST PAGE FOR EXPLANATION OF SYMBOLISM.



SINGLE EFFECT HERMETIC
ABSORPTION LIQUID
CHILLER

16JB

SIZE: 010 068
SERIES: CMX

ITM	PART DESCRIPTION	16JB057	16JB061	16JB068
		ALL VOLTAGES	ALL VOLTAGES	ALL VOLTAGES
PIC CONTROLS GROUP				
328	LID LB,BACKLIT (UTEC)	CEPL130230-01	->	->
329	DOOR LATCH,3-POINT (EMKA INC.)	1125-U206-01G	->	->
330	INDICATOR LIGHT,RED	16JB0101115	->	->
331	INDICATOR LIGHT,WHITE	(2) 16JT8101108	(2) ->	(2) ->
332	INDICATOR LIGHT,GREEN	(2) 16JT8101108	(2) ->	(2) ->
333	SELECTOR SWITCH (AUTO/MANUAL)	16JT8101106	->	->
334	TRANSFORMER (TR7)	16JT8101101	->	->
335	TRANSFORMER (TR1,TR2)	(2) HT01BD113	(2) ->	(2) ->
336	TRANSFORMER (TR5)	HT01AW235	->	->
337	TRANSFORMER (TR4)	HK35AA002	->	->
338	TERM.BLOCKS(TB2,TB3)(ALLEN-BRADLEY)	(175) 1492-W4	(175) ->	(175) ->
339	TERM.BLOCKS(TB1)(ALLEN-BRADLEY)	(54) 1492-W6	(54) ->	(54) ->
340	MODULE,PIC (PC6400)	16JB010698	->	->
341	MODULE,PSIO (SLAVE)	CEPL110109-02	->	->
342	MODULE,8 INPUT/OUTPUT	(2) CEPL120773-01	(2) ->	(2) ->
343	CONNECTOR (18-PIN)	(3) HY84EE021	(3) ->	(3) ->
344	CONNECTOR (3-PIN)	HY84EE003	->	->
345	CONNECTOR (4-PIN)	HY84EE004	->	->
346	RELAY BOARD (6-PACK) (RB1,RB2)	(2) HK35AA001	(2) ->	(2) ->
347	RELAY,2 POLE (CR1-CR9)	(9) 16JT8101102	(9) ->	(9) ->
348	FUSE BLOCK (FB6) (MARATHON)	F30A15P	->	->
349A	FUSE (208-240V) (FB6)	HY10NJ005	->	->
349B	FUSE (416-480V) (FB6)	HY10NJ005	->	->
349C	FUSE (550-600V) (FB6)	HY10NJ005	->	->
349D	FUSE (380V 50HZ) (FB6)	HY10NJ005	->	->
350	TERM. BLOCK (TERM) (MARATHON)	208	->	->
351	STARTER BLOCK (RPL,RP2)	(2) 16JT8101103	(2) ->	(2) ->
352	FUSE BLOCK (F1,F2)	(2) 16JT8101104	(2) ->	(2) ->
353A	FUSE (208-240V) (F1)	(3) FRSR-35	(3) ->	(3) ->
353B	FUSE (416-480V) (F1)	(3) FRS-R20	(3) ->	(3) ->
353C	FUSE (550-600V) (F1)	(3) FRS-R15	(3) ->	(3) ->
353D	FUSE (380V 50HZ) (F1)	(3) FRS-R20	(3) ->	(3) ->
354A	FUSE (208-240V) (F2)	(3) FRSR-35	(3) ->	(3) ->
354B	FUSE (416-480V) (F2)	(3) FRS-R20	(3) ->	(3) ->
354C	FUSE (550-600V) (F2)	(3) FRS-R15	(3) ->	(3) ->
354D	FUSE (380V 50HZ) (F2)	(3) FRS-R20	(3) ->	(3) ->
355	OVERLOADS (OL1,OL2) (FURNAS)	(2) 48DC38AA4	(2) ->	(2) ->
356A	HEATER,OVERLOAD (208-240V) (SP)	(3) HN71JC061	(3) ->	(3) ->
356B	HEATER,OVERLOAD (416-480V) (SP)	(3) HN71JC050	(3) ->	(3) ->
356C	HEATER,OVERLOAD (550-600V) (SP)	(3) HN71JC043	(3) ->	(3) ->
356D	HEATER,OVERLOAD (380V 50HZ) (SP)	(3) HN71JC052	(3) ->	(3) ->
357A	HEATER,OVERLOAD (208-240V) (RP)	(3) HN71JC061	(3) ->	(3) ->
357B	HEATER,OVERLOAD (416-480V) (RP)	(3) HN71JC050	(3) ->	(3) ->
357C	HEATER,OVERLOAD (550-600V) (RP)	(3) HN71JC043	(3) ->	(3) ->
357D	HEATER,OVERLOAD (380V 50HZ) (RP)	(3) HN71JC041	(3) ->	(3) ->
358	CONNECTOR (9-POS.) (AMP)	(2) 350763-4	(2) ->	(2) ->
359	CONNECTOR (6-POS.) (AMP)	(2) 350762-4	(2) ->	(2) ->
360	CIRCUIT BREAKER	(3) HH83ZB001	(3) ->	(3) ->
MISCELLANEOUS GROUP				
361	BOLT PACKAGE,PUMP (ADDING 8 BOLTS)	16JB660016	->	->
362AN	ELAPSED TIME INDICATOR (60 HZ)	HK28DG115	->	->
362BN	ELAPSED TIME INDICATOR (50 HZ)	HK28DG116	->	->
363 N	OCTYL ALCOHOL (1 GALLON/3.7 LTRS)	16B4-1551	->	->
364 N	TUBE CLEANING BRUSH (3/4" TUBES)	KC21AH105	->	->

PARTS LIST CATALOG

PARTS LIST PAGE: 047

CATALOG NO.: RCD-3516-007 REV. A
SUPERSEDES : RCD-3516-007 REV.

NOTE: SEE "CATALOG NOTES" ON LAST PAGE FOR EXPLANATION OF SYMBOLISM.



SINGLE EFFECT HERMETIC
 ABSORPTION LIQUID
 CHILLER

16JB

SIZE: 010 068
 SERIES: CMX

ITM	PART DESCRIPTION	16JB057	16JB061	16JB068
		ALL VOLTAGES	ALL VOLTAGES	ALL VOLTAGES
MISCELLANEOUS GROUP				
365 N	LITH BROMIDE(30 GAL)NON-INHIBITED	PS16CP030	->	->
366 N	LITH BROMIDE(30 GAL)CHROMATE-INHI	PS25AL253	->	->
367 N	LITH BROMIDE(10 GAL)NON-INHIBITED	PS20BL260	->	->
368 N	LITH BROMIDE(10 GAL)CHROMATE-INHI	PS25AL251	->	->
369 N	LITH HYDROXIDE(FOR ADJUSTING ALKY)	16JB032-003	->	->
370 N	GASKET MATL 1/32"THK X 3'X 5'	QR01-37-3532	->	->
371 N	GASKET MATL 1/16"THK X 3' X 5'	QR01-37-3516	->	->
372 N	SAMPLE TEST BOTTLE	17M32231	->	->
373 N	INHIBITOR #2 (36 GRAM) LITH NITRATE	PV07CZ-036	->	->
374 N	INHIBITOR #2 (180 GRAM)LITH NITRATE	PV07CZ-180	->	->
375 N	INHIBITOR #4 (4-1 GAL)LITH CHROMATE	PS25FL251	->	->
376 N	LOCTITE WELD SEALANT	PE01LL021	->	->
377 N	GALLON CONTAINER (PURGE EVACUATION)	LF51NB001	->	->
378 N	MOUNTING BRKT.,PURGE EVAC. CONTAINER	X	X	X
379 N	PURGE EXHAUST TUBE	16HA005-1949	->	->
380 N	PURGE EXHAUST CONNECTOR	KA70PP050	->	->
381 N	SOL TEST KIT (CHROMATE INHIBITORS)	KC16M2010	->	->
382 N	FILTER & GASKET KIT	16JB660025	->	->
383 N	FILTER CARTRIDGE	KH39ME600	->	->
384 N	GASKET (FILTER CARTRIDGE)	16JB680016	->	->
385 N	TOUCH UP PAINT (SPRAY)	PH23GL012	->	->
386 N	WELD LEAK SEALANT	19EA680002	->	->

PARTS LIST CATALOG

PARTS LIST PAGE: 048

CATALOG NO. : REV.
 SUPERSEDES : REV.

NOTE: SEE "CATALOG NOTES" ON LAST PAGE FOR EXPLANATION OF SYMBOLISM.